

## Cim A14

### FULL BORE BALL VALVE - T14 SERIES - 6/6 NYLON HANDLE



This article was made in compliance with the quality management requirements of ISO 9001 standard. All articles are tested according to the EN 12266-1 standard.

It can be used in a wide variety of sectors: heating, air conditioning, water, sanitary systems, pneumatic systems, oil pipelines, gasoline networks, saturated steam and generally with any non corrosive liquid.

It is guaranteed for 5 years.

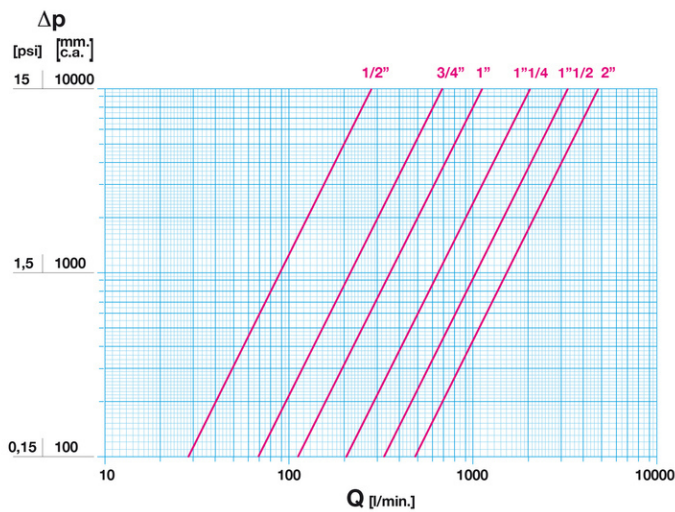
It is made of a brass alloy that complies with standard EN 12165-CW617N-M.

Nominal Pressure:

PN 60 (1/2"); PN 45 (3/4" ÷ 1"); PN 35 (1"1/4); PN 32 (1"1/2); PN 30 (2")

Operating temperature: -20 ÷ 150°C

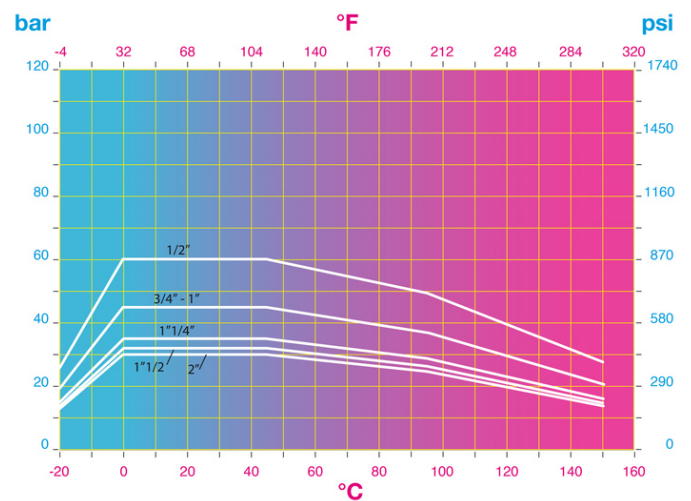
### FLOW AND PRESSURE DROP



Notes:

- 1 l/min = 0,06 m3/h
- 1 m3/h = 16,67 l/min
- 1 bar = 10.000 mm w.c.
- 1 psi = 690 mm w.c.

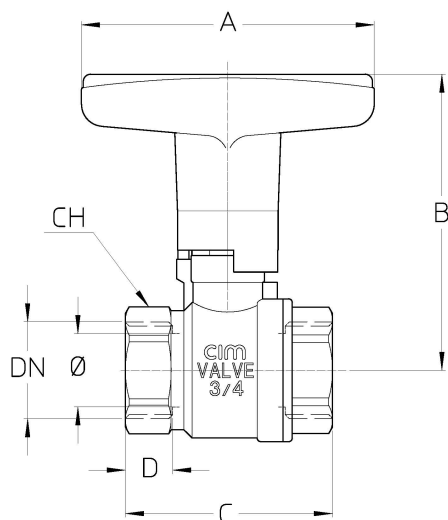
### PRESSURE TEMPERATURE RATINGS



Notes:

- 1 bar = 14,5 psi
- 1 bar = 14,5 lbf/in2
- °C = 5/9 x (°F-32)
- °F = 32 + (9/5 x °C)

## TECHNICAL DRAWING



DN	1/2"	3/4"	1"	1"1/4	1"1/2	2"
Ø mm	15	20	25	32	40	50
<b>Grms.</b>	<b>210</b>	<b>340</b>	<b>490</b>	<b>795</b>	<b>1185</b>	<b>1680</b>
A	80	80	80	95	110	110
B	77	81	85	95	109	116,5
C	52	57	68	81	95,5	112
D	12,5	12,5	14	17	18	20
CH	25	31	38	47	54	66

Thread:  
ISO 228

Upon request:  
ANSI B.1.20.1 - NPT

## TECHNICAL CHARACTERISTICS

KV CM CS MT						
DN	1/2"	3/4"	1"	1"1/4	1"1/2	2"
Ø mm	15	20	25	32	40	50
KV	17	41	68	123	198	290
CM	3	5	6	7	10	13
CS	6	10	12	14	20	26
MT	10	24	24	45	90	90

KV = Capacity in m<sup>3</sup>/h at pressure drop of 1 bar.

CM = Operating torque in Nm.

CS = Starting torque in Nm.

MT = Stem breaking torque in Nm.

## OUR CERTIFICATIONS

