



Bronze Parallel Slide Blow Off Valve Flanged (IBR Approved)

IBR 16

PRODUCT DESCRIPTION

Product : 'SANT' Bronze Parallel Slide Blow off Valve
 Body Material cum Standard : Bronze IBR 282(a)(iv) Gr.B
 Description : Rack & Pinion Operated with Key
 Type of Seat : Renewable seat
 Type of Disc : Renewable disc
 Trim : SS AISI410 / Monel
 Gland Packing : Graphited Asbestos
 End Details : Flanges as per BS 10 Table H F.F. undrilled



APPLICATION

- Water
- Oil
- Gas
- Steam

TESTING & CERTIFICATION

Body Test Pressure : 500 Psig.Hyd.
 Seat Test Pressure : 500 Psig.Hyd.
 Working Pressure : Max.BOP 250 Psig.(17.58Kg/cm²) at 435°F (225°C)

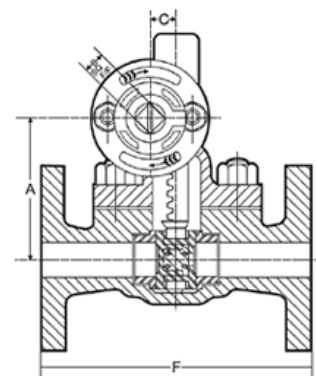
Test Certificate in Form III-C as per IBR is furnished with every supply.

MATERIALS

Components	Materials	Specifications
Body, Bonnet, Stuffing Box, Gland, Rack & Pinion	Bronze	IBR 282(a)(iv) Gr.B
Body Seat Ring & Valve Disc	Cast Monel	Ni-Cu Alloy
Spring	Spring Steel	IBR 307 to 314
Gasket	Compressed Asbestos Fibre	IS:2712 Gr.C
Gland Packing	Graphited Asbestos	--
Operating Key	Mild Steel	--

DIMENSIONS IN mm

Nominal Size	Nominal Size (Inches)	F	A	B	C
25	1	174.5	95	16	18
32	1.1/4	178.0	114	16	19
40	1.1/2	190.5	118	22	20.5
50	2	206.5	137	22	25.4
65	2.1/2	228.5	152	28.5	28.5
80	3	254.0	187	32	32



" For Guaranteed Trouble Free Service "