

1010 Bronze Horizontal Check Valve (Screwed)

Salient Features

- Screwed Female Ends to IS 554 / BS 21 / ISO 7.
- Screwed in Bonnet, Integral Seat, meant for Horizontal Lines alone.
- Permits flow in one direction and closes automatically if the flow reverses.
- Metal Disc is mushroom shaped with spherical seating surface.
- Disc is guided in Body as well as in Bonnet.
- Medium Pattern.
- Can also be provided with 'O' Ring Type Seating.

Test Pressure (Hydrostatic) Shell : 20 kg/cm²g (285 psig) Seat : 13.5 kg/cm²g (192 psig) Maximum Working Temperature 225°C

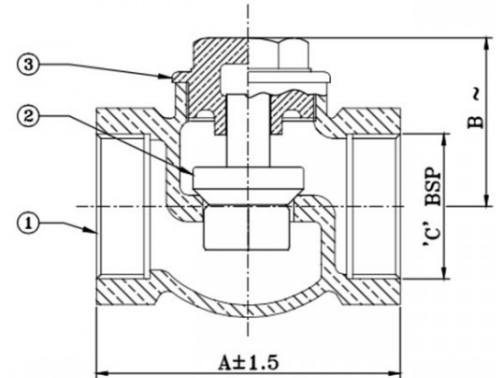
Suitable For

Water, Oil



Material of Construction

P.No.	Part Name	Material	Specification	Quantity
1	Body	Bronze	IS 318 Gr. LTB 2	1
2	Disc	Bronze	IS 318 Gr. LTB 2	1
3	Bonnet	Bronze	IS 318 Gr. LTB 2	1



Sizes / Dimensions

Size (Inches)	Size (mm)	A ± 1.5	B	C
1/4	8	33	24	1/4"
3/8	10	37	28	3/8"
1/2	15	45	32	1/2"
3/4	20	53	37	3/4"
1	25	57	41	1"
1 1/4	32	71	46	1 1/4"
1 1/2	40	79	52	1 1/2"
2	50	86	66	2"
2 1/2	65	107	80	2 1/2"
3	80	123	94	3"
4	100	159	104	4"