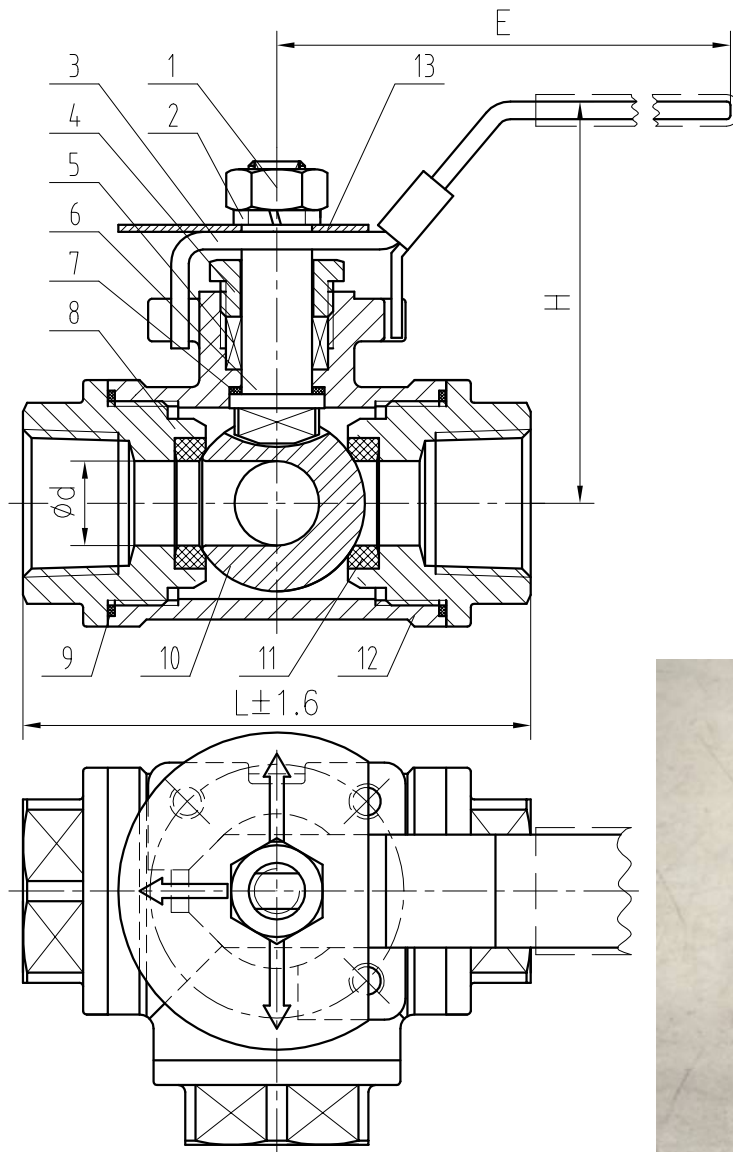
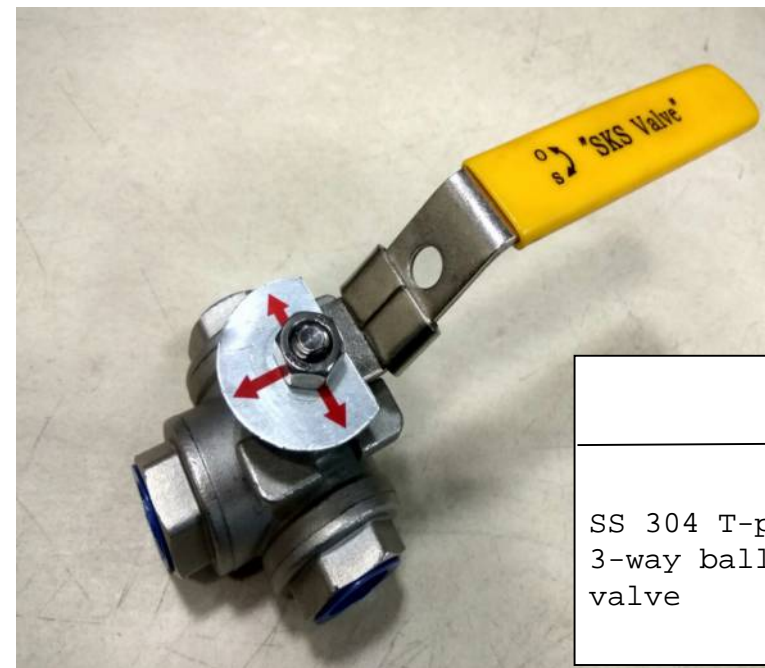


MAIN PARTS AND MATERIALS



NO.	PART NAME	MATERIAL	NO.	PART NAME	MATERIAL
1	Nut	304/316	8	Cap	WCB/CF8/CF8M
2	Spring Washer	304/316	9	Gasket	PTFE
3	Handle	304/316	10	Ball	304/316
4	Bushing	304/316	11	Seat	PTFE/RPTFE
5	Packing	PTFE	12	Body	CF8/CF8M
6	Stem	304/316	13	Flow card	AL
7	Thrust Gasket	PTFE	14		



	d	H	E	L
1/2"	12	57	115	70
3/4"	15	66	120	83
1"	18	73	155	92
1 1/4"	25	78	155	125
1 1/2"	32	92	185	140
2"	38	98	185	155

SKS 250M

SS 304 T-port
3-way ball
valve

