

SKS 501

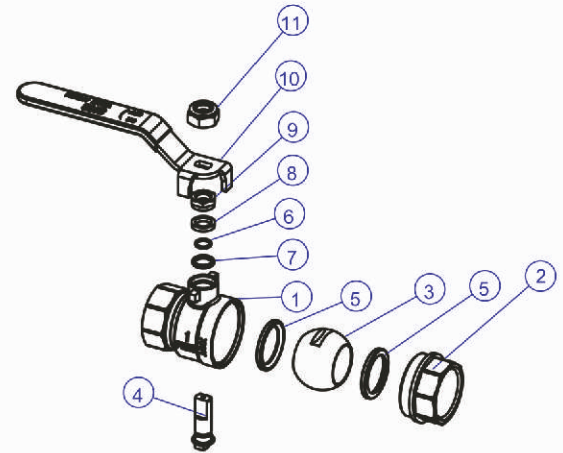
UNIQUE FEATURES

- ✓ Forged Brass Nickel Plated Body
- ✓ Full Bore
- ✓ CW617N Grade Brass (Low Lead)
- ✓ PTFE Seats
- ✓ Self Locking Nyloc Nut
- ✓ PN25 Rating
- ✓ Screwed BSP (F) Thread

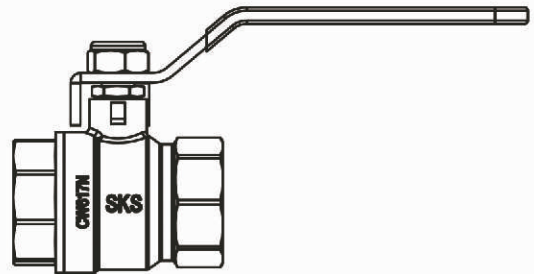


SKS 501 Dimensional Details

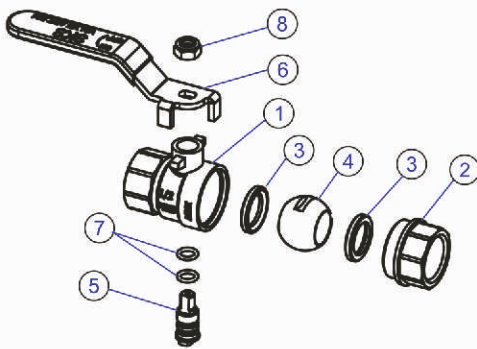
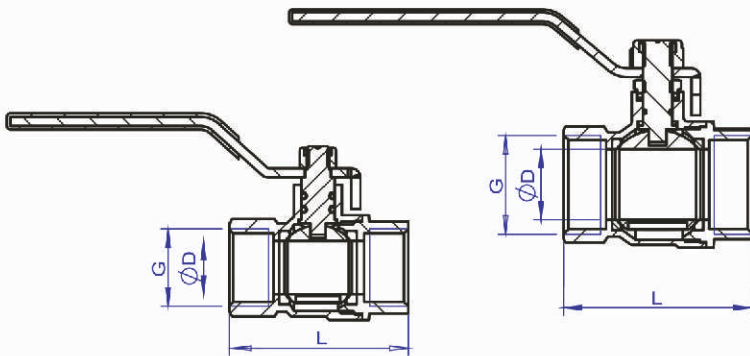
Size	G	PN	ØD	L
DN8	BSP 1/4"	25	9	40
DN10	BSP 3/8"	25	10	45
DN15	BSP 1/2"	25	14.5	48
DN20	BSP 3/4"	25	19	54
DN25	BSP 1"	25	24	64
DN32	BSP 1 1/4"	25	30	76
DN40	BSP 1 1/2"	25	37	88
DN50	BSP 2"	25	47	99



3/4" - 2" Assembly drawing



No.	Name	Material	Qty.
1	Body	Forged Brass CW617N	1
2	Bonnet	Forged Brass CW617N	1
3	Ball	Forged Brass	1
4	Stem	Forged Brass	1
5	Seat	PTFE	2
6	O-ring	EPDM with WRAS approved	2
7	Seat	PTFE	1
8	Seat	PTFE	1
9	Packing Nut	Forged Brass	1
10	Handle	Steel Q235 with blue zinc plating with PVC RAL 5002	1
11	Hex Nut	Steel Q235 Lock Nylon Nut	1



1/4"-1/2" Assembly drawing

No.	Name	Material	Qty.
1	Body	Forged Brass CW617N	1
2	Bonnet	Forged Brass CW617N	1
3	Seat	PTFE	2
4	Ball	Forged Brass	1
5	Stem	Forged Brass	1
6	Handle	Steel Q235 with blue zinc plating with PVC RAL 5002	1
7	O-ring	EPDM with WRAS approved	2
8	Hex Nut	Steel Q235 Lock Nylon Nut	1

Imported & distributed by:



PIPELINE PRODUCTS (INDIA)

(An Alliance of Factory Equipments & Project Equipment)

PH: 011-43211999 (20 Lines) Fax: 011-43211901

Email: info@pipelineproductsindia.com

Website: www.pipelineproductsindia.com