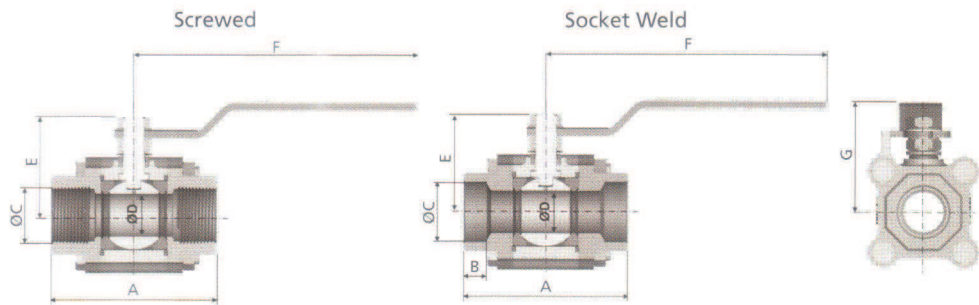


Three-Piece Ball Valves - Full Bore



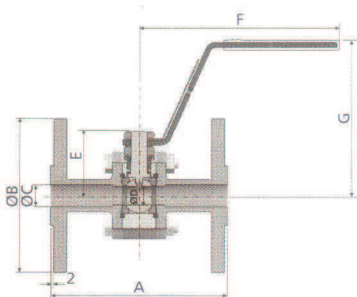
Dimensional Details

Screwed/ Socket weld end (in mm, unless specified)

Size	A	B	C			D	E	F	G	Wt. (kg)
			SW	BSPT	NPT					
DN 8	62	10.0	14.6	1/4" - 19 BSPT	1/4" - 18 NPT	11	38	132	50	0.7
		9.5	14.2							
DN 10	62	10.0	18.0	3/8" - 19 BSPT	3/8" - 18 NPT	11	38	132	50	0.7
		9.5	17.6							
DN 15	66	10.5	22.2	1/2" - 14 BSPT	1/2" - 14 NPT	11	38	132	50	0.7
		10.0	21.8							
DN 20	75	13.5	27.6	3/4" - 14 BSPT	3/4" - 14 NPT	17	46	132	58	1.1
		13.0	27.2							
DN 25	92	13.5	34.3	1" - 11 BSPT	1" - 11 1/2 NPT	24	54	162	65	1.7
		13.0	33.9							
DN 32	114	13.5	43.1	1 1/4" - 11 BSPT	1 1/4" - 11 1/2 NPT	37	75	192	83	4.2
		13.0	42.7							
DN 40	114	13.5	49.2	1 1/2" - 11 BSPT	1 1/2" - 11 1/2 NPT	37	75	192	83	4.2
		13.0	48.8							
DN 50	132	16.5	61.7	2" - 11 BSPT	2" - 11 1/2 NPT	49	87	202	94	6.3
		16.0	61.2							

Dimensional Details

Flanged end (in mm, unless specified)



Size	A		B		C	D	E	F	G	Weight (kg)	
	CI 150	CI 300	CI 150	CI 300						CI 150	CI 300
DN 15	108	140	90	95	13	11	38	122	92	1.8	2.2
DN 20	117	152	100	115	19	17	46	142	98	2.2	3.4
DN 25	127	165	110	125	25	24	54	152	98	3.2	4.8
DN 40	165	190	125	155	38	37	75	212	125	7.8	10.7
DN 50	178	216	150	165	51	49	87	212	125	12.6	15.5