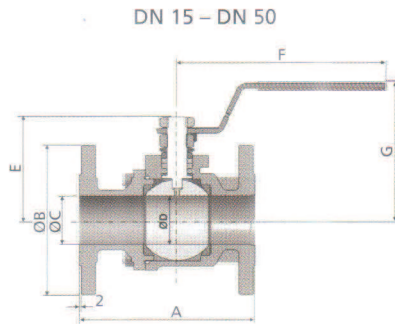
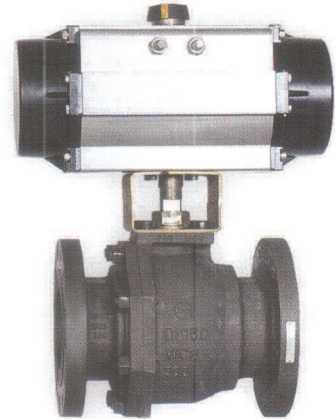
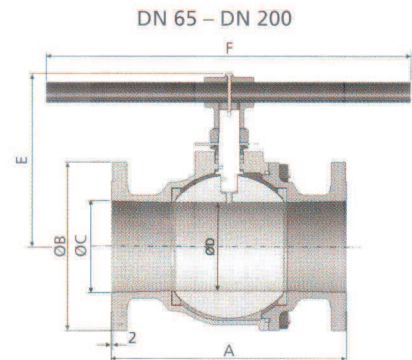


## Two-Piece Ball Valves - Full Bore

Series L2F / Fire-safe



DN 15 – DN 50



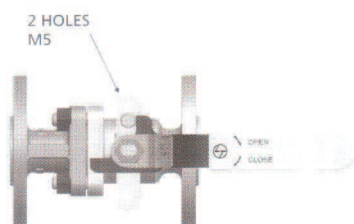
DN 65 – DN 200

### Dimensional Details (in mm, unless specified)

Size	A		B		C	D	E		F	G	Base Type ISO 5211		Weight (kg)	
	CI 150	CI 300	CI 150	CI 300			CI 150	CI 300			CI 150	CI 300	CI 150	CI 300
DN 15	108	140	90	95	13	11	38	38	120	90	Manufacturer standard	1.4	1.9	
DN 20	117	152	100	115	19	17	45	45	120	97		1.8	3.2	
DN 25	127	165	110	125	25	24	55	55	154	97		2.9	4.3	
DN 40	165	190	125	155	38	37	75	75	212	120	F05	F05	5.3	6.4
DN 50	178	216	150	165	51	49	103	103	212	141	F07	F07	9.4	12.0
DN 65	190	241	180	190	64	62	175	175	390		F07	F07	14.1	20.0
DN 80	203	282	190	210	76	74	185	195	390		F07	F07	19.2	28
DN 100	229	305	230	255	102	98	235	247	*		F10	F12	31	45.0
DN 150	394	403	280	320	154	148	285	315	**		F12	F14	78.2	105
DN 200	457	502	345	380	203	198	340	371	980		F14	F16	141.5	169.0

\* 600 mm for CI 150 & 890 mm for CI 300

\*\* 890 mm for CI 150 & 980 mm for CI 300



Full bore valves in sizes DN 15 to DN 25 would be supplied with actuator mounting flanges as per L&T's manufacturing standard