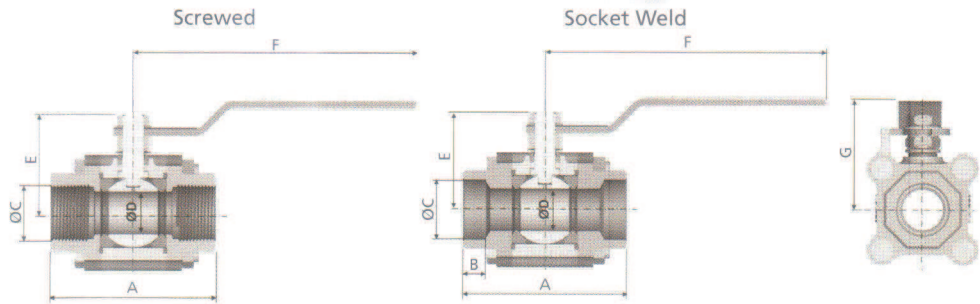
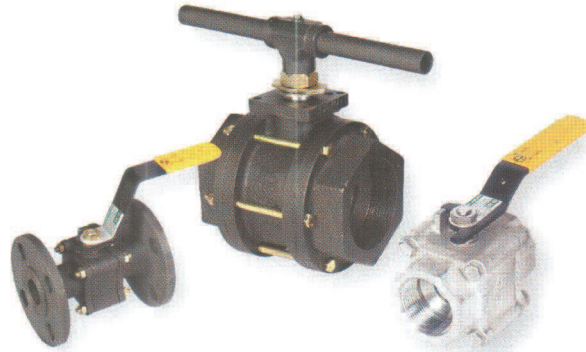


Three-Piece Ball Valves - Regular Bore



Dimensional Details

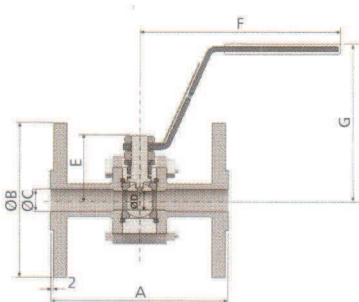
Screwed/ Socket weld end (in mm, unless specified)

Size	A	B	C			D	E	F	G	Wt. (kg)
			SW	BSPT	NPT					
DN 8	62	10.0	14.6	¼" - 19 BSPT	¼" - 18 NPT	11	38	132	50	0.7
		9.5	14.2							
DN 10	62	10.0	18.0	¾" - 19 BSPT	¾" - 18 NPT	11	38	132	50	0.7
		9.5	17.6							
DN 15	66	10.5	22.2	½" - 14 BSPT	½" - 14 NPT	11	38	132	50	0.7
		10.0	21.8							
DN 20	69	13.5	27.6	¾" - 14 BSPT	¾" - 14 NPT	11	38	132	50	0.8
		13.0	27.2							
DN 25	90	13.5	34.3	1" - 11 BSPT	1" - 11½ NPT	17	46	132	58	1.3
		13.0	33.9							
DN 32	97	13.5	43.1	1¼" - 11 BSPT	1¼" - 11½ NPT	24	54	162	65	1.8
		13.0	42.7							
DN 40	103	13.5	49.2	1½" - 11 BSPT	1½" - 11½ NPT	27	56	162	66	2.5
		13.0	48.8							
DN 50	122	16.5	61.7	2" - 11 BSPT	2" - 11½ NPT	37	75	162	83	4.5
		16.0	61.2							

Valves size DN 8 - DN 15 will be supplied in full bore construction

Dimensional Details

Flanged end (in mm, unless specified)



Size	A		B		C	D	E	F	G	Weight (kg)	
	CI 150	CI 300	CI 150	CI 300						CI 150	CI 300
DN 15	108	140	90	95	13	11	38	122	92	1.8	2.2
DN 20	117	152	100	115	19	11	38	122	92	1.8	3.0
DN 25	127	165	110	125	25	17	46	142	98	2.5	4.2
DN 40	165	190	125	155	38	27	56	180	117	4.7	8.0
DN 50	178	216	150	165	51	37	75	212	125	7.7	12.1