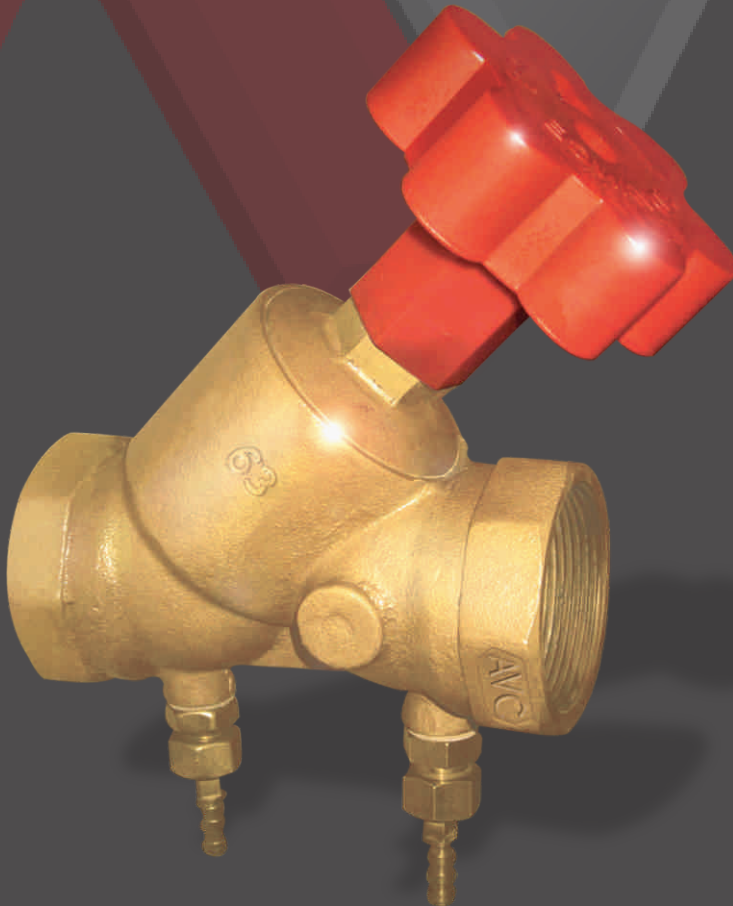


SCREWED END BALANCING VALVE

- Precise Double Regulation
- With Digital handle for precise flow regulation and on line flow measurement
- Valve Rating PN 16 and PN 20
- Positive Shut-off-PTFE Seal
- Conform to BS7350 DRV specification
- Low flow-noise emission
- Corrosion and Dezincification resistant (Bronze) construction
- Tamper proof Setting
- BSP or NTP female threads 25mm (1")-75mm (3") NB



CONSTRUCTION AND TECHNICAL INFORMATION

BODY : Sturdy construction in Cast Gun Metal IS 318 Gr. LTB2 (equivalent to ASTM B62) corrosion and dezincification resistant.

VALVE SEATING: Special Seal of PTFE (Teflon) ring to suit temperature -46°C to +200°C against gun metal seat.

SPINDLE : Non-rising spindle of Brass IS 319 Gr.1 or Al. Bronze.

DIGITAL HANDLEWHEEL : All valves are fitted with a red Polyamide Plastic Hand Wheel, Reading Accuracy of one tenth of a turn guaranteed.

DRAINCOCK : An optional quarter turn drain cock on outlet side for fitment on either side of valve operatable by 6mm double end spanner to suit connecting 1/2" hose. Extended manometer tapping is available on request.

DIFFERENTIAL PRESSURE MEASUREMENT : For in the line determination of differential pressure across the Valve and subsequent flow calculation, manometer tapping with quarter turn valve suitable for digital differential pressure transducer connection for 1/2" hose provided. The quarter turn valve are operated using 6mm double end spanner. These tapping are suitable for the pressure measurement also. As an option self closing or capping connection are also available.

TAMPER PROOF : The valve are provided with Concealed Allen Screw operated by standard allen key for locking (tamper proofing) of the valve setting. The valve can be closed shut even if the locking has been done.

DIRECTION OF FLOW : The flow direction is marked by an arrow on the body.

OPTIONAL SOFTWARE SERVICES : Valve Selection Software, Digital Differential pressure meter. Flow computation hydrolic balancing along with on site water balancing available on request.

END CONNECTIONS : BSP female threads are provided as standard. Other thread connection like NTP etc. Can be provided on request.

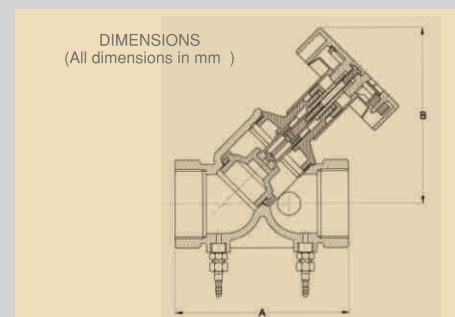
TESTING : ♦ Flow/Performance Test ♦ Hydro Testing

	Shell (Body)	Seat
PN-16	24 bar (g)	17.6 bar (g)
PN-20	30 bar (g)	22 bar (g)

ACCURACY : The valve performance is guaranteed within ± 5% of flow within the recommended operating range.

SERVICE SUITABILITY : Liquid Water, Steam and Ethelene Glycol

- PH value between 4 - 9.5.
- Temperature - 46°C to +200°C.
- Pressure upto 20 bar.



National Size mm	025 (1")	032 (1 1/4")	040 (1/2")	050 (2")	065 (2 1/2")	080 (3")
A	90	110	120	150	180	200
B	118	135	135	148.5	192	222
Spanner size SW	41	50	55	70	85	100

Manufactured & Marketed by