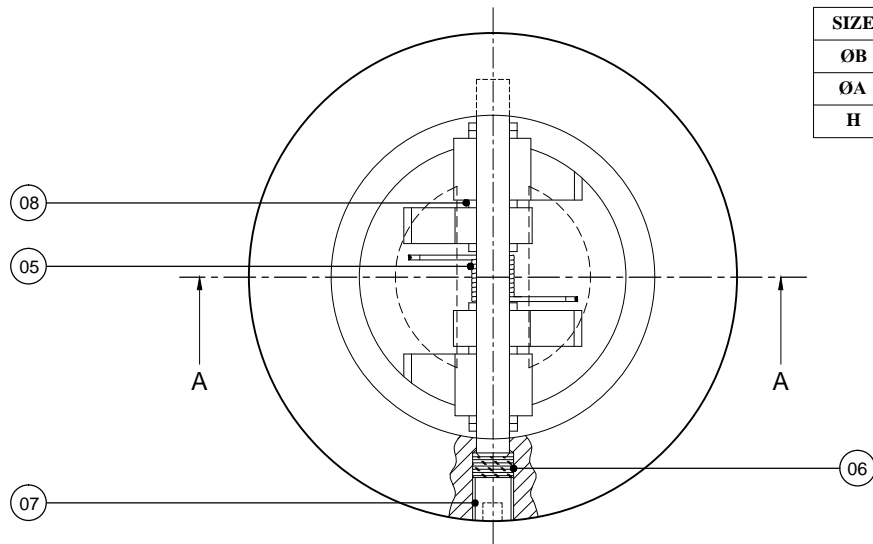
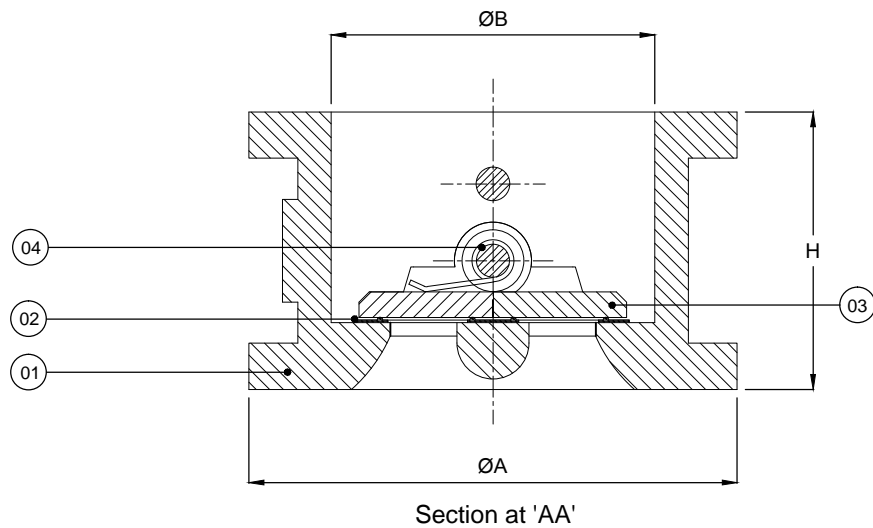


SIZE	40	50	65	80	100	125	150	200	250	300	350	400	450	500
ØB	52.00	63.00	75.00	92.00	116.00	145.00	169.00	220.00	273.00	324.00	357.00	407.00	457.00	508.00
ØA	80.00	100.00	120.00	130.00	170.00	192.00	215.00	275.00	335.00	405.00	447.00	510.00	545.00	602.00
H	43.00	54.00	54.00	57.00	64.00	70.00	76.00	95.00	108.00	143.00	184.00	191.00	203.00	213.00



PT No.	PART NAME	MATERIAL
01	BODY	D.I
02	SEAT	EPDM
03	PLATES	SS-304 (LAPPED)
04	SHAFT	SS304
05	SPRING	SS304
06	O RING	NITRILE
07	PLUG	M. S. (CHROME PLATED)
08	WASHER	STAINLESS STEEL



Model No. - SKS320S4D

PIPELINE PRODUCTS (INDIA)	Date	Name	Material : ****	Scale : N.T.S
	Dm. 08/02/2016	Er. Rahul		
	Chd. 08/02/2016	Des Raj	QTY : ****	
	Std. 08/02/2016		Raw Size : ****	
Appd. 08/02/2016		P. Rating : PN20	M/C No :	
Drg./Part Designation. Dual Plate check valve (N.R.V) Assy.			Drg./Part No.	EC. No.
ALL CHAMFER 0.5X45° ALL DIMENSIONS ARE IN mm UNLESS OTHERWISE STATED.			0.00.09.13	00
			Sheet No. 1 of 1 Sheet	

Surface Finish Symbols					Machining Deviation for open Dimensions									REVISIONS							
Raw (Smooth un m/c'd)	Rough	smooth	Finish	Fine Finish	Dim.	Over	Up to & Inc.	6	30	120	315	1000	2000	4000	ZONE	REV	DESCRIPTION	DATE	APPROVED	CHD. BY	
Ro µm	25-12.5	6.3-1.6	0.8-0.2	0.1-0.025	Tolerance		±0.1	±0.2	±0.3	±0.5	±0.6	±1.2	±2	±3							