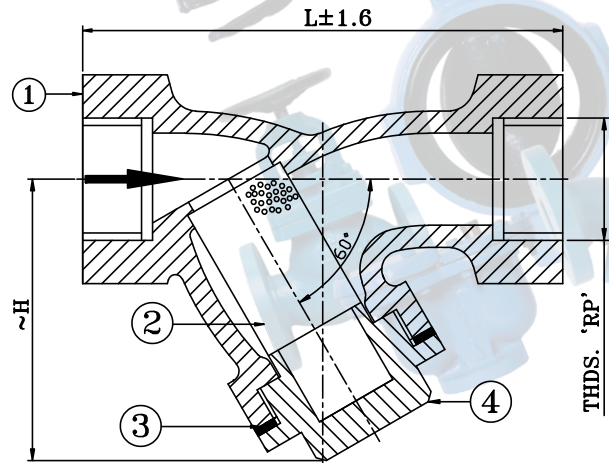


# CAST IRON 'Y' TYPE STRAINER SCREWED FEMALE ENDS

**SPECIFICATIONS:**

SS (TYPE 304) SCREEN HAVING  
1MM DIA PERFORATIONS



ITEM	SIZES	ITEM CODE	END DETAILS
CAST IRON 'Y' TYPE STRAINER	15mm TO 50mm	CI-0092	SCREWED FEMALE ENDS

### STANDARD MATERIAL COMBINATION

SR. NO.	NAME OF PARTS	NO. OFF	MATERIAL	SPECIFICATION/STANDARD
1.	BODY	1	C.I.	BSEN 1561 Gr. GJL200
2.	SCREEN	1	S.S.	TYPE 304 1MMØ PERFORATION
3.	GASKET	1	CNAF	-
4.	COVER	1	C.I.	BSEN 1561 Gr. GJL200

### DIMENSION DATA

NOMINAL SIZE	15MM	20MM	25MM	32MM	40MM	50MM
~L±1.6	100	125	145	145	180	200
~H	69	70	76	106.5	122	162
"Rp"	1/2"	3/4"	1"	1-1/4"	1-1/2"	2"

ITEM	SIZES	TEST PRESSURES	TESTING STANDARD
		BODY	
CAST IRON 'Y' TYPE STRAINER	15mm to 50mm	26 Bar (Hyd)	Manufacturer

**NOTE: 1.**The above data is subject to change without notice due to our continual product improvement program.  
**2.**Valves Can be supplied in other MOC's on request, Cast Iron (IS 210 Gr. FG 260) Ductile Iron (ASTMA 395 Gr. 60-40-18 / 65-45-15 / GGG 40.30) & D2 (ASTMA 439 Gr. D2/ D2A/ D2B/ D2C)