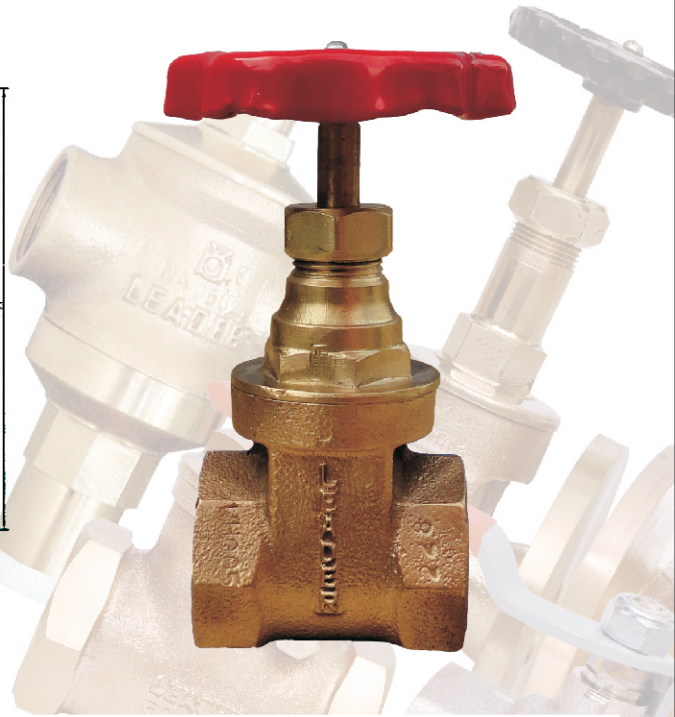
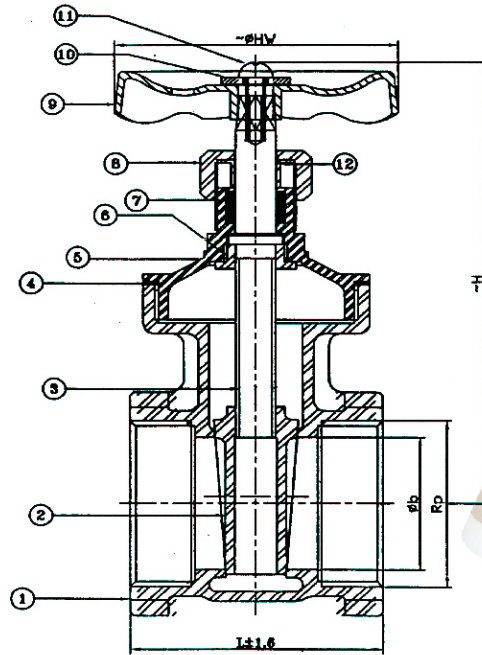


## Bronze BASIC GATE VALVE

**SPECIFICATIONS :** GM BASIC GATE VALVE, PN 16, SCREWED BONNET, NON RISING STEM, SCREWED ENDS



### STANDARD MATERIAL COMBINATION

P.NO.	DESCRIPTION	MATERIALS	SPECIFICATIONS
1	BODY	G.M.	BSEN 1982 Gr. CC491K
2	WEDGE	G.M.	BSEN 1982 Gr. CC491K
3	STEM	BRASS ROD	BS 2874/2874 CZ122
4	GASKET	PTFE	
5	BONNET	GM/BRASS	BS 1400 LG2/BS2874 CZ122
6	STEM BUSH	BRASS	BS 2874/2874 CZ122
7	PACKING	TO SUIT SERVICE CONDITION	
8	GLAND NUT	BRASS	DIN EN 12165 CW 617 N
9	HAND WHEEL	M.S	IS GRADE
10	WASHER	C.S.	ANY GRADE
11	SETS SCREW	C.S.	ANY GRADE
12	GRAND FLOWER	BRASS	BS 2874/2874 Cz122

### DIMENSIONAL DATA

SIZE (MM)	8	10	15	20	25	32	40	50	65	80	100
L	43	43	43	45	54	60	64	78	94	105	127
b	10	10	13	19	25	32	38.1	50	63.5	76.2	100
H	74	74	74	89	97	113	124	152	210	245	297
HW	48	48	60	60	60	60	90	90	140	140	168
Rp	5/16"	3/8"	1/2"	3/4"	1"	1-1/4"	1-1/2"	2"	2-1/2"	3"	4"
Item Code	GM002	GM002	GM002	GM002	GM002	GM002	GM002	GM002	GM002	GM002	GM002

### TEST PRESSURES

NOMINAL PRESSURE ACCORDING TO PN OR CLASS DESIGNATION	SHELL TEST (HYDROSTATIC)	SEAT TEST (HYDROSTATIC)	STANDARD NO.
PN 16	24 bar	17.6 bar	EN 12266 PART- 1

NOTE: The above data is subject to change without notice due to our continuing product improvement program. (▲WEIGHT GIVEN IN KGS)