

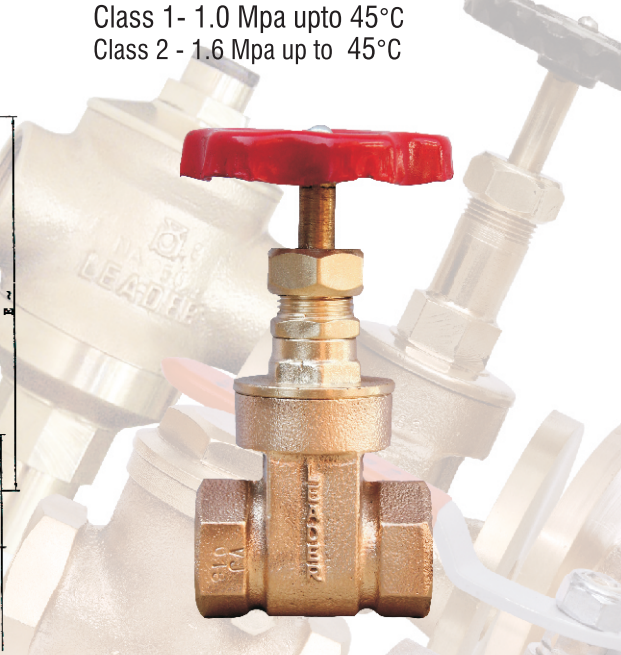
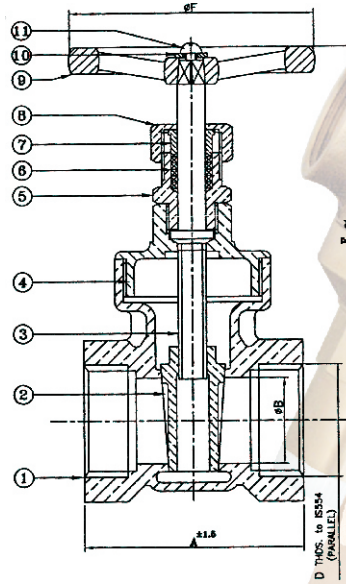
**IS 778 Cu-ALLOY GATE VALVES- IS 778**

**SPECIFICATIONS**

SCREWED IN BONNET, INSIDE SCREW, NON-RISING STEM, INTEGRAL SEAT, SOLID WEDGE, SCREWED FEMALE PARALLEL THREADS TO IS 554, OTHER FORMS OF THREADS CAN BE PROVIDED ON REQUEST.

**PRESSURE TEMPERATURE RATING :**

Class 1- 1.0 Mpa upto 45°C  
Class 2 - 1.6 Mpa up to 45°C



NOTE : 8MM AND 10MM SIZES ARE NOT INCLUDED IN CLASS-2

**STANDARD MATERIAL COMBINATION**

P.NO.	DESCRIPTIO	MATERIAL	SPECIFICATIONS
1	BODY	LEADED TIN BRONZE	IS 318:81 Gr. LTB2
2	WEDGE	LEADED TIN BRONZE	IS 318:81 Gr. LTB2
3	STEM	HIGH TENSILE BRASS	IS 6912:85 Gr. FHTB1
4	BONNET	LEADED TIN BRONZE	IS 318-81 Gr. LTB2
5	STUFFING BOX	LEADED TIN BRONZE/BRASS ROD	IS 318:81 Gr. LTB2
6	GLAND PACKING	ASBESTOS HEMP & JUTE	IS 5414:69
7	GLAND	LEADED TIN BRONZE/BRASS ROD	IS 318:81 Gr.LTB2/IS 6912:85 Gr. FLB
8	GLAND NUT	LEADED TIN BRONZE/BRASS ROD	IS 318:81 Gr.LTB2/IS 6912:85 Gr. FLB
9	HAND WHEEL	C.I.	IS 210-93 Hr. FG200
10	WASHER	CARBON STEEL	IS 2062:92 Gr. A
11	SET SCREW	CARBON STEEL	SPECIAL GRADE

**DIMENSIONAL DATA**

SIZE (mm)	8	10	15	20	25	32	40	50	65	80	100	
A	50	50	60	60	70	80	90	100	105	125	160	
ØB	10	10	15	20	25	32	40	50	65	80	100	
D	1/4"	3/8"	1/2"	3/4"	1"	1-1/4"	1-1/2"	2"	2-1/2"	3"	4"	
~E	90	90	96	106	118	128	147	164	207	236	352	
~ F	48	48	60	60	70	90	92	103	130	153	165	
ITEM CODE NOS.	CLASS - 1	IS 001	IS 001	IS 001	IS 001	IS 001	IS 001	IS 001	IS 001	IS 001	IS 001	IS 001
	CLASS - 2	IS 007	IS 007	IS 007	IS 007	IS 007	IS 007	IS 007	IS 007	IS 007	IS 007	IS 007

**TEST PRESSURES**

NOMINAL PRESSURE ACCORDING TO CLASS DESIGNATION	SHELL TEST (HYDROSTATIC)	SEAT & BACK SEAT (HYDROSTATIC)	STANDARD NO.
CLASS 1	1.5 Mpa (217.5 psig)	1.0 Mpa (145 psig)	IS 6157
CLASS 2	2.4 Mpa (348 psig)	1.6 MPA (232 psig)	

NOTE: The above data is subject to change without notice due to our continuing product improvement program.