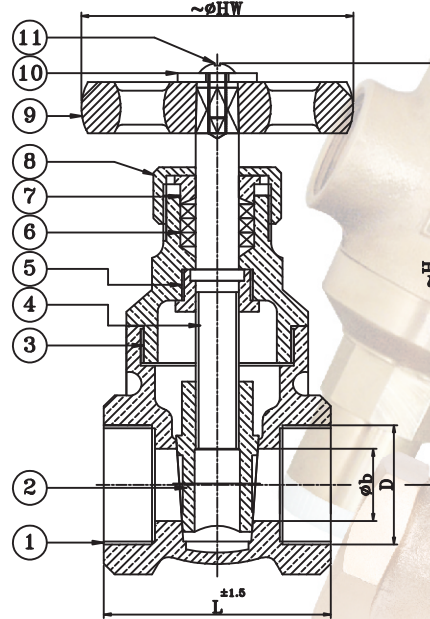


FORGED BRASS GATE VALVES - IS 13144

SPECIFICATIONS

SCREWED IN BONNET, INSIDE SCREW,
NON-RISING STEM, INTEGRAL SEAT,
SOLID WEDGE, SCREWED FEMALE
PARALLEL THREADS TO IS 554.
OTHER FORMS OF THREADS CAN BE
PROVIDED ON REQUEST.



STANDARD MATERIAL COMBINATION

P.NO.	DESCRIPTION	MATERIALS	SPECIFICATIONS
1	BODY	FORGED BRASS	IS 69 12 GR. FLB
2	WEDGE	FORGED BRASS	IS 69 12 GR. FLB
3	BONNET	FORGED BRASS	IS 69 12 GR. FLB
4	STEM	FORGED BRASS ROD	IS 6912 GR. FHTB1
5	STEM NUT	FORGED BRASS	IS 6921 GR. FHTB1/IS 6912 GR. FLB
6	GLAND PACKING	HEMP & JUTE / ASBESTOS	IS 5414 / IS 4687
7	GLAND	FORGED BRASS	IS 6921 GR. FHTB1/IS 6912 GR. FLB
8	GLAND NUT	FORGED BRASS	IS 6921 GR. FHTB1/IS 6912 GR. FLB
9	HANDWHEEL	C.I/ STEEL (PVC COATED)	IS 210 FG200/ANY GRADE
10	WASHER	STEEL	ANY GRADE
11	SET SCREW	STEEL	ANY GRADE

DIMENSIONAL DATA

SIZE (mm)	15	20	25
L	52	56	65
ϕb	12.7	19	25
H	76	82	100
HW	48	60	60
D	1/2"	3/4"	1"
APROX WT. Δ	0.285	0.405	0.625
ITEM CODE	IS 026	IS 026	IS 026

TEST PRESSURES

MAX. WORKING PRESSURE	SHELL TEST (HYDROSTATIC)	SEAT & BACK SEAT (HYDROSTATIC)	STANDARD NO.
2 MPa	3 Mpa (435 Psig)	2.2 Mpa (319 Psig)	IS 13114

NOTE: The above data is subject to change without notice due to our continuing product improvement program.

(Δ WEIGHT GIVEN IN KGS)