

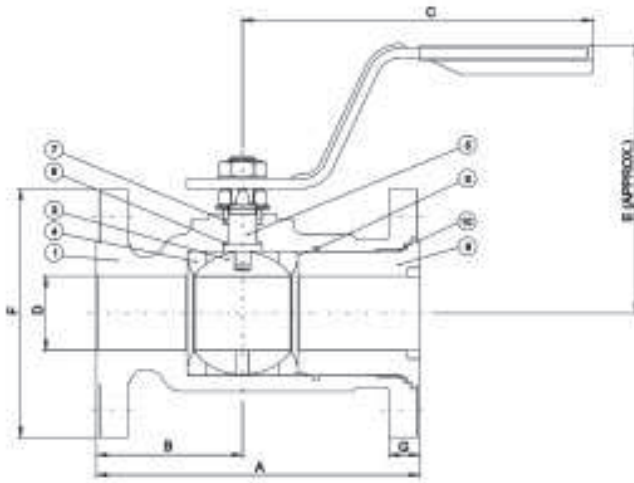
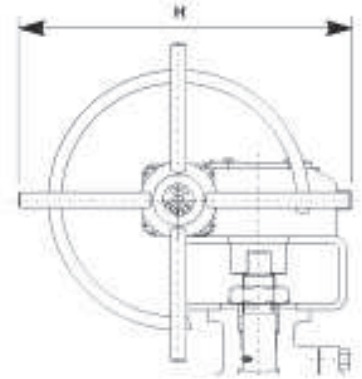
Full Bore Ball Valves

Single-piece / Two-piece design

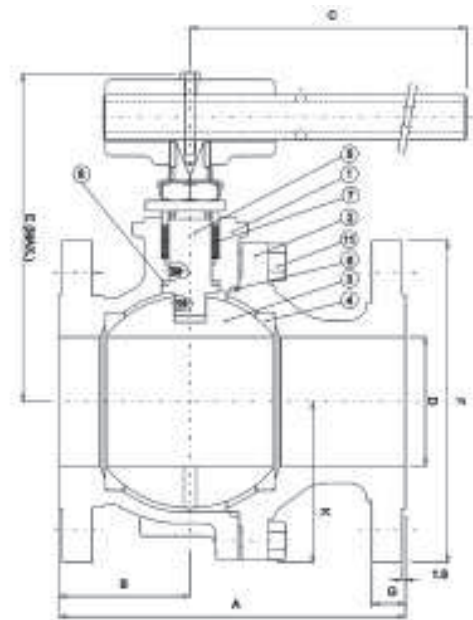
F15 Fire-safe Series (Class 150)

F30 Fire-safe Series (Class 300)

These high performance full bore ball valves come in single-piece design (in sizes of 15 - 40mm) as well as in two-piece design (in sizes of 50 - 200mm). Advanced features such as fire safety, antistatic capability, cavity relief and blow-out proof stem are built into these valves. They are supplied with an integral actuator mounting flange with drilled and tapped holes conforming to ISO 5211.



15mm - 40mm



50mm - 200mm

Dimensional Details

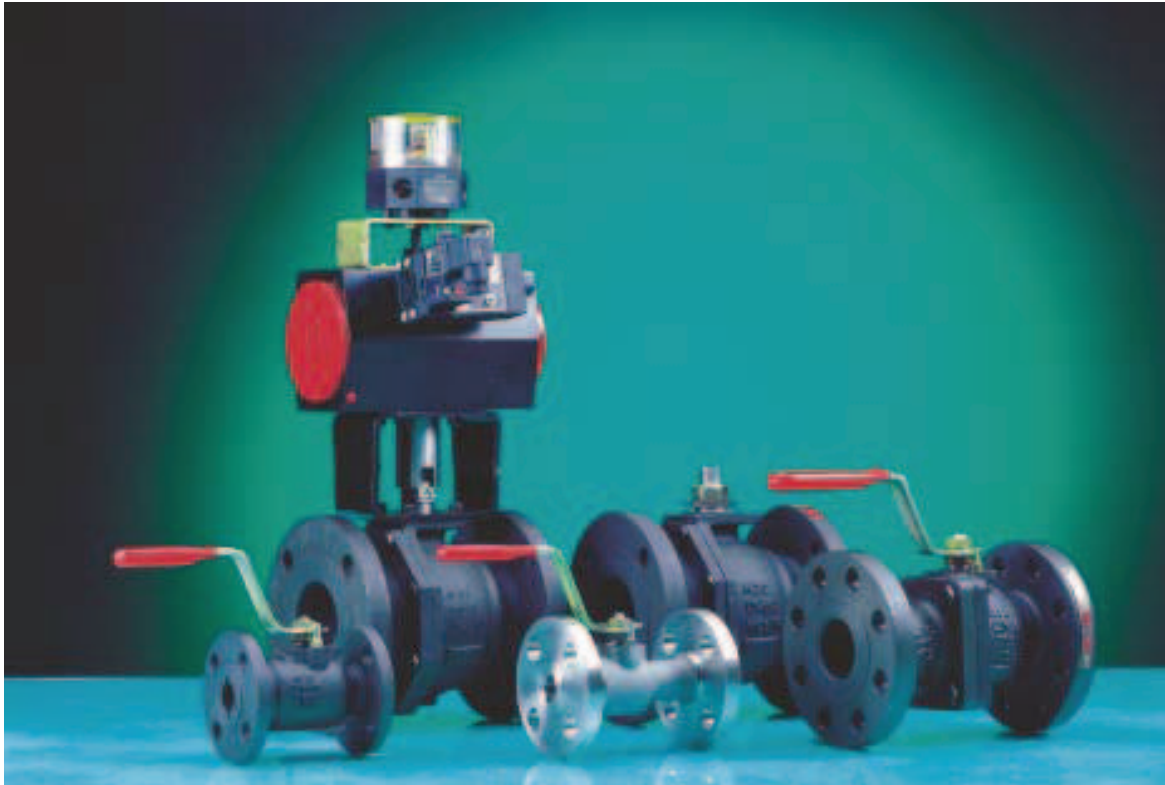
(in mm, unless specified)

F15 (Class 150)

F30 (Class 300)

Valve Size	A	B	C	D	E	H	Approx. Weight (kg)
15	108	46	163	12.7	97	-	1.8
20	117	50	168	19.1	118	-	2.5
25	127	56	168	25.4	123	-	3.4
40	165	75	193	38.1	139	-	8.5
50	178	84	193	50.8	150	-	12.2
65	191	77	402	64.1	190	-	18.5
80	203	99	256	76.2	155	-	23.0
100	229	108	402	101.6	196	-	42.6
150	394	179	1004	150.8	315	-	90.0
200	457	206	-	203.0	690	578	170.0

Approx. Weight (kg)



Material Specification		F15 / F30	
Sl. No.	Part	Carbon Steel	Stainless Steel
1	Body	ASTM A216 Gr. WCB	ASTM A351 Gr. CF8M
2	Body Connector	ASTM A216 Gr. WCB	ASTM A351 Gr. CF8M
3	Ball	ASTM A351 Gr. CF 8M	ASTM A351 Gr. CF8M
4	Seat	PTFE	PTFE
5	Stem	AISI 316	AISI 316
6	Body Seal	Graphite	Graphite
7	Gland Packing	Graphite	Graphite
8	Stem Seal	25% Glass-filled PTFE	25% Glass-filled PTFE
9	Insert	ASTMA105/ASTMA216Gr.WCB/IS1875Cl2	AISI 316 or ASTM A351 Gr. CF8M
10	Insert gasket	Graphite	Graphite
	Catalogue No.	F15**-44-T	F15**-66-T

F15 (Class 150) / F30 (Class 300)
 Single-piece valves up to 40mm ; 2-piece valves from 50mm onwards.

Specifications

Valve design	BS 5351
Fire test	API 607, 4th edition
Pressure testing	API 598 (testing as per BS 6755 Part I on special request)
Face-to-face dimensions	ASME B16.10 (compliance to BS 2080 can be offered on request)
End flange dimensions	ASME B16.5 Class 150 RF and Class 300 RF

Pressure Testing

<u>Test pressures</u>		
	Ends	kg/cm ² (psi)
Shell	Class 150 (hydrostatic)	31.5 (450)
	Class 300 (hydrostatic)	79.0 (1125)
Seat	Class 150 (air)	5.6 (80)
	Class 300 (air)	5.6 (80)