



NETA VALVES PVT. LTD.

**BRONZE**

**SPRING LOADED POP TYPE**

**SAFETY VALVE  
SCREWED / FLANGED**

**SPECIALLY DESIGNED FOR  
SAFETY UNDER  
MAXIMUM PRESSURE**

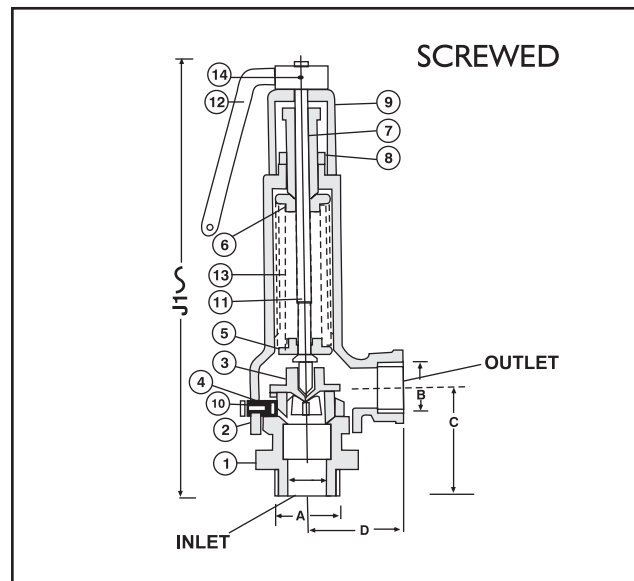
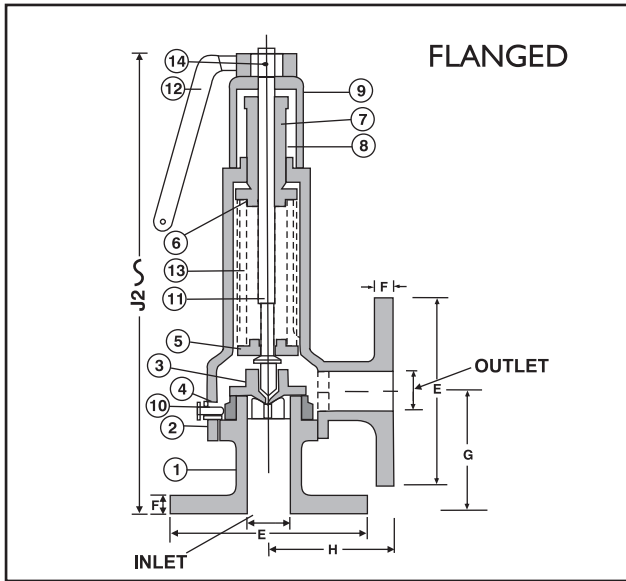
**DESCRIPTION :**

'WJ' BRONZE SPRING LOADED POP TYPE SAFETY VALVE Screwed Male Ends BSPT Threads or Flanged Ends to BS-10 Table 'H'. Max Set Pressure for these safety valves is 250 PSIG (17.58 Kg/Cm<sup>2</sup>). These are manufactured in enclosed discharge and open discharge designs.

**TESTING AND CERTIFICATION :**

All pop type safety valves are set at the Pressure required by the customer. Max set Pressure being 250 PSIG (17.58 Kg/Cm<sup>2</sup>). Each pop type safety valve is supplied with IBR Test Certificate in Form III-C issued by The Director of Boilers, Punjab.





### DIMENSIONS

Nominal Size	A	B	C	D	E	F	G	H	J <sup>1</sup> (Approx.)	J <sup>2</sup> (Approx.)
15 mm (1/2")	3/4" BSPT	1/2" BSP	65	44	114.3	9.5	73	70	240	248
20 mm (3/4")	1" BSPT	3/4" BSP	70	64	114.3	9.5	73	73	260	263
25 mm (1")	1 1/4" BSPT	1" BSP	70	64	120.7	11.2	75	75	290	295
32 mm (1 1/4")	1 1/2" BSPT	1 1/4" BSP	95	66	133.4	11.2	83	83	342	330
40 mm (1 1/2")	2" BSPT	1 1/2" BSP	95	66	139.7	12.7	95	95	342	342
50 mm (2")	2 1/2" BSPT	2" BSP	110	85	165.1	12.7	110	110	410	406
65 mm (2 1/2")	3" BSPT	2 1/2" BSP	112	110	184.2	14.28	125	125	455	468
80 mm (3")	4" BSPT	3" BSP	145	120	203.2	15.88	140	140	485	480

### MATERIALS

PART No.	NAME OF PART	MATERIAL	SPECIFICATION
1.	Body	Bronze	IBR 282 (a) (IV) Gr. B
2.	Chamber	Bronze	IBR 282 (a) (IV) Gr. B
3.	Disc	Bronze	IBR 282 (a) (IV) Gr. B
4.	Regulating Ring	Bronze	IBR 282 (a) (IV) Gr. B
5.	Lower Spring Disc	Bronze	IBR 282 (a) (IV) Gr. B
6.	Upper Spring Disc	Bronze	IBR 282 (a) (IV) Gr. B
7.	Adjusting Screw	Bronze	IBR 282 (a) (IV) Gr. B
8.	Check Nut	Bronze	IBR 282 (a) (IV) Gr. B
9.	Cap	Bronze	IBR 282 (a) (IV) Gr. B
10.	Locking Screw	Brass	-----
11.	Spindle	MN. Bronze	-----
12.	Easing Lever	Cast Iron	-----
13.	Spring	Carbon Steel	IBR 307-314
14.	Pin	S.S.	AISI-410



NETA VALVES PVT. LTD.

## RELIEVING CAPACITIES OF 'WJ' BRONZE POP TYPE SAFETY VALVE FOR SATURATED STEAM AT 10% ACCUMULATION IN Kg. OF STEAM PER HOUR AT SET PRESSURE

SET PRESSURE Kg. / Cm <sup>2</sup> g	VALVE SIZE							
	15 mm (1/2")	20 mm (3/4")	25 mm (1")	32 mm (1 1/4")	40 mm (1 1/2")	50 mm (2")	65 mm (2 1/2")	80 mm (3")
1.0	20	46	82	128	185	329	514	740
2.0	29	68	122	191	276	491	767	1104
3.0	39	91	162	254	367	653	1020	1469
4.0	49	113	203	317	458	815	1273	1833
5.0	59	136	243	380	549	977	1526	2198
6.0	69	159	283	443	640	1139	1780	2562
7.0	79	181	324	506	731	1301	2033	2927
8.0	88	204	364	569	822	1463	2286	3291
9.0	98	227	405	632	914	1625	2539	3656
10.0	108	249	445	695	1005	1787	2792	4020
12.0	128	295	526	821	1187	2111	3299	4749
15.0	157	363	647	1010	1460	2597	4058	5843
17.58	183	421	751	1172	1695	3014	4709	6780

