

CAST STEEL

LIFT CHECK VALVE

DESIGNED TO WORK UNDER VARIED CONDITIONS

DESCRIPTION :

'WJ' Cast Steel Lift Check Valve to BS-5160/DIN 2401, PN-40, Straight or Right Angle Pattern, 13% Cr. S.S.(AISI-410) Trim, Bolted Bonnet, Integral Flanges as per BS-4504 Part I Table 40/1/DIN 2545 PN-40 Raised Face. Body Tested to 60 Bar Gauge and Seat Tested to 40 Bar Gauge Hydraulic Pressure.

SALIENT FEATURES :

1. Stream lined full flow area is provided to minimise pressure drop in the body.
2. Renewable S.S. 13% S.S. (AISI-410) body seat ring and disc facing ring have at least 50 HB difference in hardness.
3. Bolted body cover joint.
4. Self aligning fully guided disc ensures proper seating of valve disc on body seat ring.

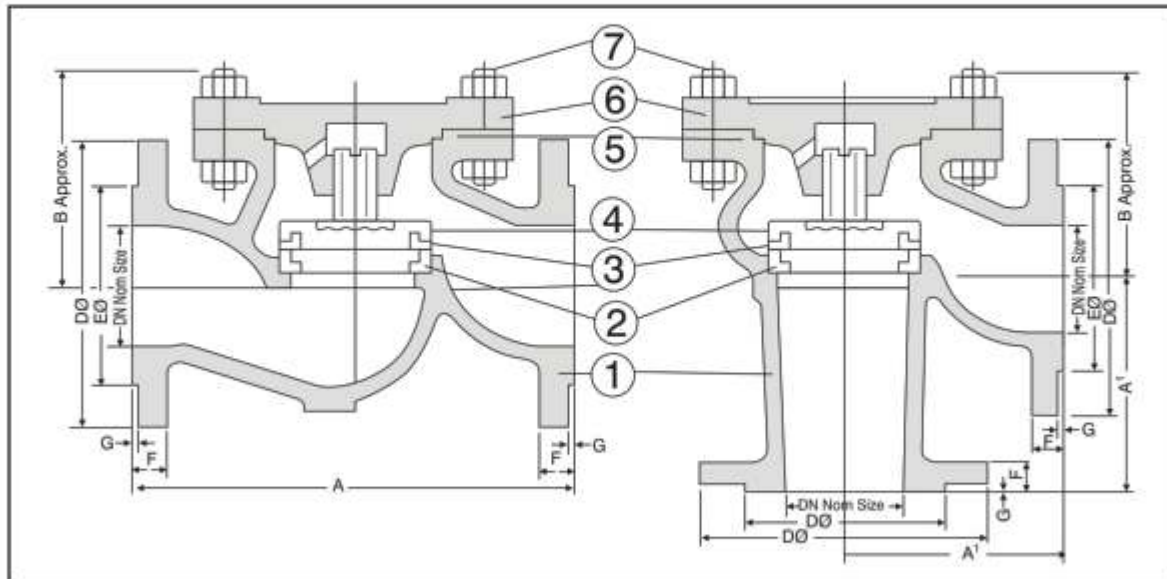
TESTING AND CERTIFICATION :

All valves are tested at double the max. working pressure. Each valve is supplied with IBR Test Certificate in Form III-C issued by The Director of Boilers, Punjab.



PRESSURE TEMPERATURE RATING :

NOMINAL PRESSURE	STANDARD No.	MAX. Permissible Gauge working pressure at Temperature °C						
		10 To 120	200	250	300	350	400	425
40	BS 5160 (Bar)	40	40	38	33	28	23	20
	DIN 2401 Kg/Cm ² g	40	35	32	28	24	21	----



Nominal Size	DIMENSIONS						
	DN	A	A'	B	D	E	F
DN15 (1/2")	130	90	85	95	45	16	2
DN20 (3/4")	150	95	85	105	58	18	2
DN25 (1")	160	100	90	115	68	18	2
DN32 (1 1/4")	180	105	95	140	78	18	2
DN40 (1 1/2")	200	115	110	150	88	18	3
DN50 (2")	230	125	120	165	102	20	3
DN65 (2 1/2")	290	145	140	185	122	22	3
DN80 (3")	310	155	160	200	138	24	3
DN100 (4")	350	175	175	235	162	24	3
DN125 (5")	400	200	200	270	188	26	3
DN150 (6")	480	225	240	300	218	28	3
DN200 (8")	600	275	300	375	285	34	3
DN250 (10")	730	---	355	450	345	38	3
DN300 (12")	850	---	390	515	410	42	4

MATERIALS			
PART No.	NAME OF PART	MATERIAL	SPECIFICATION
1.	Body	Cast Steel	IBR 73 to 80
2.	Body Seat Ring	13% Cr. S.S.	AISI-410
3.	Valve Disc Facing Ring	13% Cr. S.S.	AISI-410
4.	Valve Disc	Cast Steel	IBR 73 to 80
5.	Gasket	S.S. Type 304	Spiralwound Asbestos Filler
6.	Bonnet	Cast Steel	IBR 73 to 80
7.	Studs & Nuts	Alloy Steel H.T. Steel	ASTM A-193 Gr. B 7 ASTM A-194 Gr. 2H