

CAST IRON

ACCESSIBLE

FEED CHECK VALVE

CHECK VALVE WITH BETTER ACCESSIBILITY WHILE THE BOILER IS IN OPERATION

DESCRIPTION :

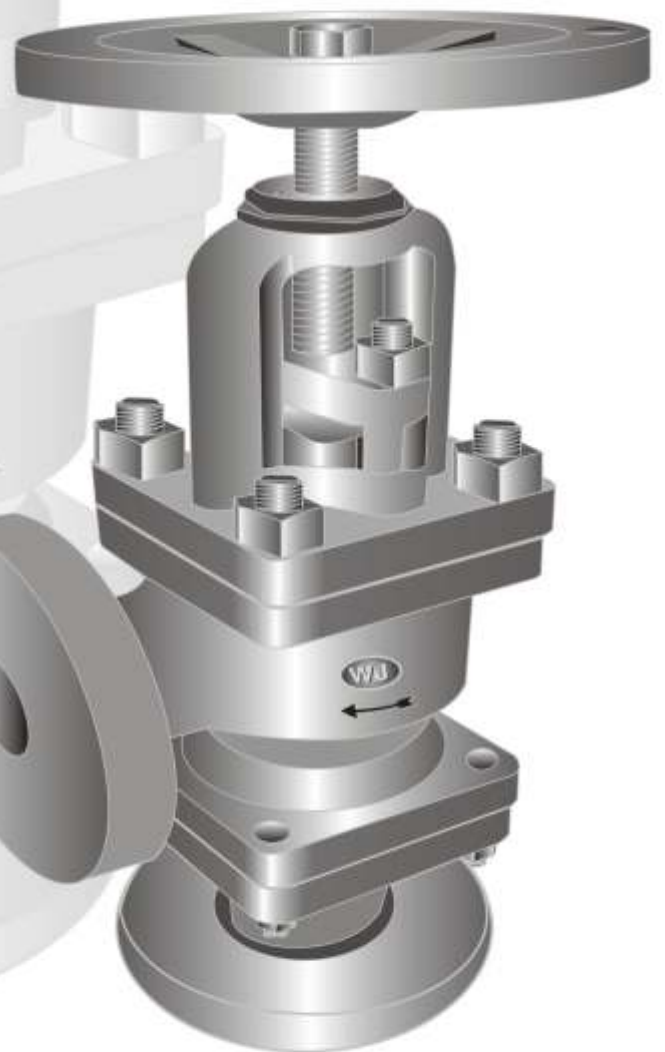
'WJ' Cast Iron Accessible Feed Check Valve, out side screw yoke type, rising spindle, SS (AISI-410) seat and spindle, bolted bonnet, flanges as per BS-10 Table 'H'. Suitable for max. 185 PSIG (13 Kg/Cm²g) working pressure and 428°F (220°C). Temp. tested to 370 PSIG (26 Kg/Cm²g) Hydraulic Pressure.

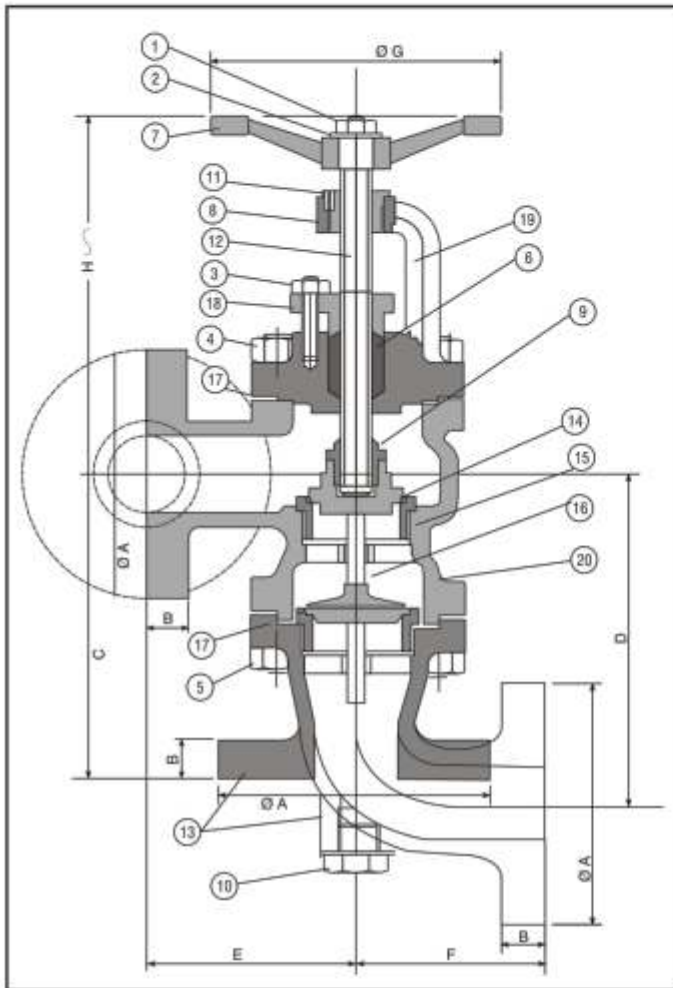
SALIENT FEATURES :

1. Accessible Feed Check Valve consists of two valves, a stop valve operated by a hand wheel and a back pressure check valve.
2. Available with straight or curved inlet.
3. Accessibility of check valve can be examined while the boiler is in operation by closing the stop valve and removing the inlet.
4. 40mm, 50mm and 65mm size accessible feed check valves are also available with inspection branch.

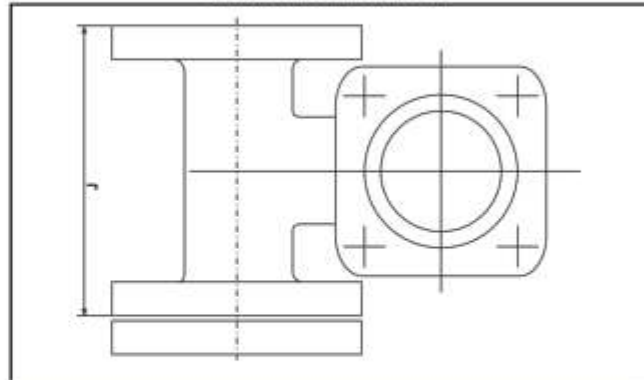
TESTING AND CERTIFICATION :

All valves are tested at double the max. working pressure. Each valve is supplied with IBR Test Certificate in Form III-C issued by The Director of Boilers, Punjab.





INSPECTION BRANCH



DIMENSIONS WITHOUT INSPECTION BRANCH

Nominal Size	A	B	C	D	E	F	G	H (Approx.)
25mm (1")	120.7	19.1	152.5	159	116	82.6	175	200
32mm (1¼")	133.5	22.2	167	167	108	121	175	213
40mm (1½")	139.7	22.2	173	189	114	102	175	220
50mm (2")	165.1	25.4	203	216	127	114	175	240
65mm (2½")	184.2	25.4	238	238	152	127	250	290
80mm (3")	203.2	28.6	238	238	191	152	250	320

DIMENSIONS WITH INSPECTION BRANCH

Nominal Size	A	B	C	D	E	F	G	H (Approx.)	J
40mm (1½")	139.7	22.2	173	189	102	102	175	220	228
50mm (2")	165	25.4	203	216	124	114	175	240	254
65mm (2½")	184.2	25.4	238	238	140	127	250	290	280

MATERIALS

PART No.	NAME OF PART	MATERIAL	SPECIFICATION
1.	Nut	M.S.	----
2.	Washer	M.S.	----
3.	Studs & Nuts	M.S.	----
4.	Studs & Nuts	M.S.	----
5.	Studs & Nuts	M.S.	----
6.	Packing	Graphited Asbestos	----
7.	Hand Wheel	C.I.	IS : 210 FG 200
8.	Yoke Bush	Bronze	IBR-282 (a) IV Gr. B
9.	Check Nut	S.S.	AISI-410
10.	Drain Plug	Bronze	IBR-282 (a) IV Gr. B
11.	Locking Screw	S.S.	AISI-410
12.	Stem	S.S.	AISI-410
13.	Straight/Curved Inlet	C.I.	IBR-86 To 93 Gr. A
14.	Disc	S.S.	AISI-410
15.	Body Seat Ring	S.S.	AISI-410
16.	Check Valve Disc	S.S.	AISI-410
17.	Gasket	Steam Jointing	----
18.	Gland	C.I.	IBR-86 To 93 Gr. A
19.	Bonnet	C.I.	IBR-86 To 93 Gr. A
20.	Body	C.I.	IBR-86 To 93 Gr. A