

**CAST IRON**

## Y-TYPE STRAINER

### ELEGANT SMOOTH PERFORMANCE

#### DESCRIPTION :

'WJ' Cast Iron Y-Type Strainers are manufactured with S.S. (AISI-304) screen with screwed female ends to BSP threads or flanged ends to BS-10 Table 'F'.

These strainers are suitable for 150 PSIG (10.54 Kg/Cm<sup>2</sup>g) max steam pressure at 428°F (220°C) Temp. and are tested at 300 PSIG (21.08 Kg/Cm<sup>2</sup>g) Hydraulic Pressure.

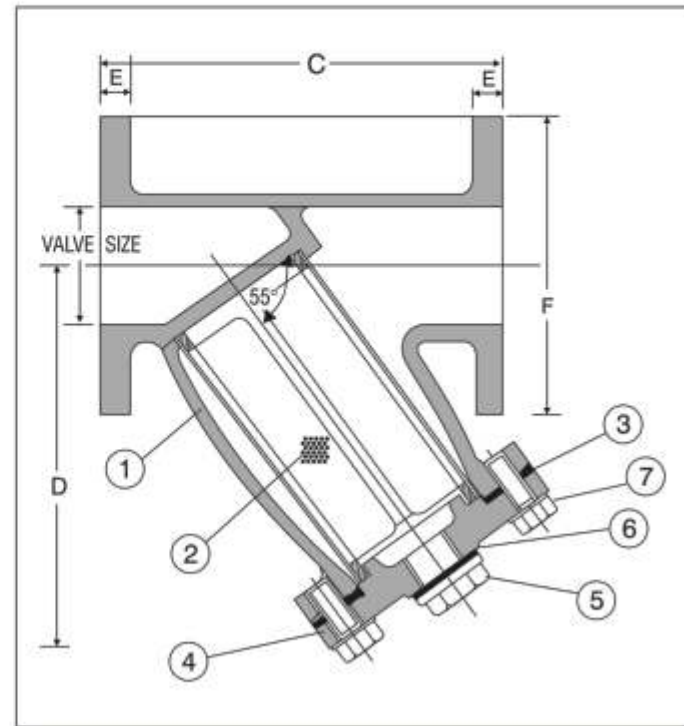
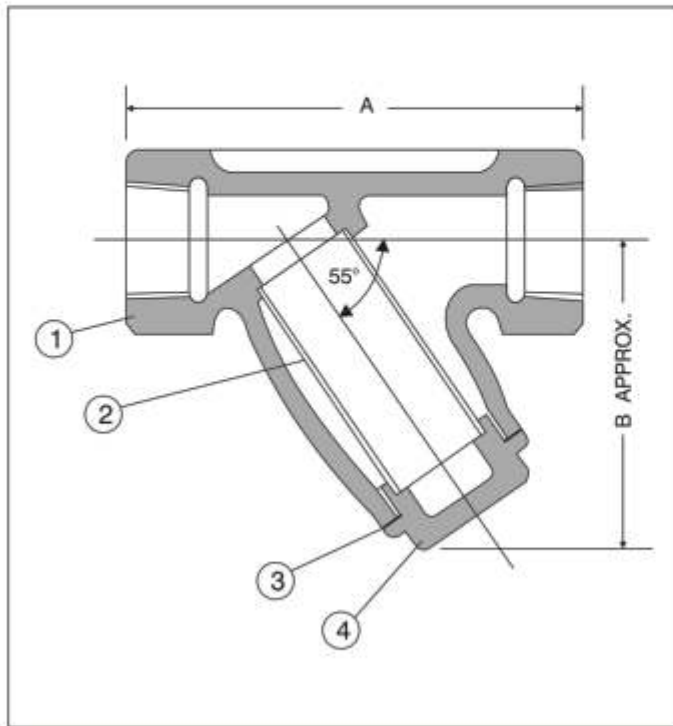
#### SALIENT FEATURES :

1. Fine finish and smooth contours reduce pressure drop in the strainer.
2. Large screening area makes the strainer efficient.
3. Screen is guided in the body.
4. Strainer may be installed in the downward vertical lines with effectiveness equal to horizontal installation.
5. Drain plug is provided in larger sizes to drain off the foreign particles accumulated in the strainer.

#### TESTING AND CERTIFICATION :

All strainers are tested at double the max. working pressure. Each strainer is supplied with IBR Test Certificate in Form III-C issued by The Director of Boilers, Punjab.





**DIMENSIONS**

Nominal Size	A	B	C	D	E	F
15 mm (1/2")	76	68	136.5	90	12.7	95.3
20 mm (3/4")	98	72	140	90	12.7	101.6
25 mm (1")	133	90	162	115	12.7	120.7
32 mm (1 1/4")	175	110	185	143	15.88	133.4
40 mm (1 1/2")	178	130	206	150	15.88	139.7
50 mm (2")	222	158	210	203	19.01	165.1
65 mm (2 1/2")	----	----	248	240	19.01	184.2
80 mm (3")	----	----	270	260	19.01	203.2
100 mm (4")	----	----	381	285	22.2	228.6
125 mm (5")	----	----	416	381	25.4	279.4
150 mm (6")	----	----	451	394	25.4	304.8
200 mm (8")	----	----	522.5	550	38.1	368.5

**MATERIALS**

PART No.	NAME OF PART	MATERIAL	SPECIFICATION
1.	Body	Cast Iron	IBR 86 to 93 Gr. A
2.	Strainer	S.S.	AISI-304
3.	Gasket	C.A.F.	----
4.	Cover	Cast Iron	IBR 86 to 93 Gr. A
5.	Plug	Steel	----
6.	Gasket	C.A.F.	----
7.	Studs & Nuts	Steel	----