

**BRONZE**

## THERMODYNAMIC STEAM TRAP

### ENSURES HIGH PERFORMANCE

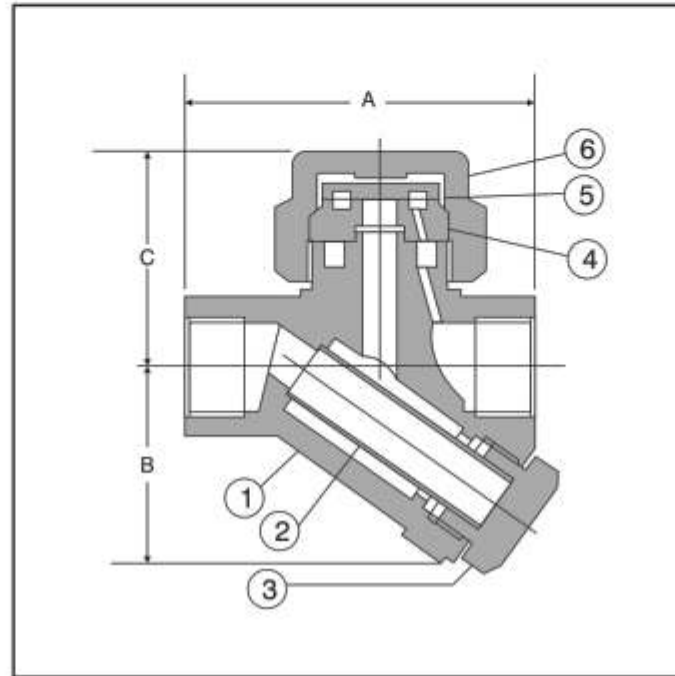
#### DESCRIPTION :

'WJ' Bronze Thermodynamic Type Steam Trap with S.S. (AISI-410) working parts and S.S. (AISI-304) strainer, screwed female ends. Suitable for 250 PSIG (17.58 Kg/Cm<sup>2</sup>g) max. working pressure and 428°F (220°C) temp. Tested to 500 PSIG (35.15 Kg/Cm<sup>2</sup>g) hydraulic pressure.

#### TESTING AND CERTIFICATION :

All traps are tested hydraulically at double the max. working pressure. Each trap is tested on steam line to see its performance. Each trap is supplied with IBR Test Certificate in Form III-C issued by The Director of Boilers, Punjab.





DIMENSIONS			
NOMINAL SIZE	A	B	C
15 mm (½")	83	55	62
20 mm (¾")	95	55	62
25 mm (1")	117	70	80

MATERIALS			
PART No.	NAME OF PART	MATERIAL	SPECIFICATION
1.	Body	Bronze	IBR 282 (a) (IV) Gr. B
2.	Screen	S.S.	AISI-304
3.	Screen Retaining Nut	M.S.	----
4.	Lower Disc	S.S.	AISI-410
5.	Upper Disc	S.S.	AISI-410
6.	Top Nut	M.S.	-----