

BRONZE

FUSIBLE PLUG

DESIGNED IN THREE DIFFERENT TYPES TO FUNCTION CONVENIENTLY & SUITABLY

DESCRIPTION :

'WJ' Bronze Fusible Plugs are manufactured in three designs namely one piece, two piece and Loco Type designs. These are suitable for 250 PSIG (17.58 Kg/Cm²g) max. Boiler operating pressure and temp. of 428°F (220°C). Tested to 500 PSIG (35.15 Kg/Cm²g) Hydraulic Pressure.

TYPE 1: ONE PIECE DESIGN

This design has one piece Bronze body filled with fusible alloy having male BSPT threads. It is manufactured in 15 mm (1/2"), 20 mm (3/4") and 25 mm (1") sizes.

TYPE 2 : TWO PIECE DESIGN

This design has a replaceable cone containing fusible alloy screwed into Bronze body, having male BSPT Threads. It is manufactured in 15 mm (1/2"), 20 mm (3/4") and 25 mm (1"), 32 mm (1 1/4"), 40 mm (1 1/2") and 50 mm (2") sizes.

TYPE 3 : LOCO TYPE

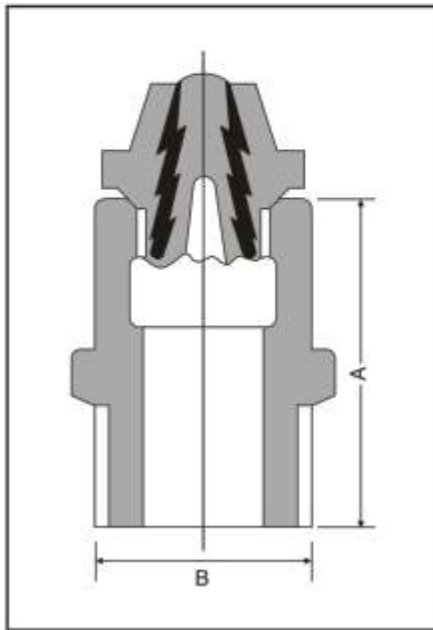
It is suitable for Loco Type Boilers. These have BSPT threads.

It is manufactured in 25mm (1") and 32 mm (1 1/4").

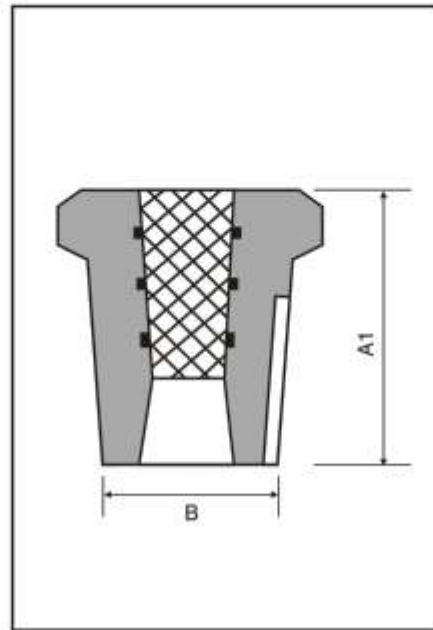
TESTING AND CERTIFICATION :

All Fusible Plugs are tested at double the max. working pressure. Each Fusible Plug is supplied with IBR Test Certificate in Form III-C issued by The Director of Boilers, Punjab.

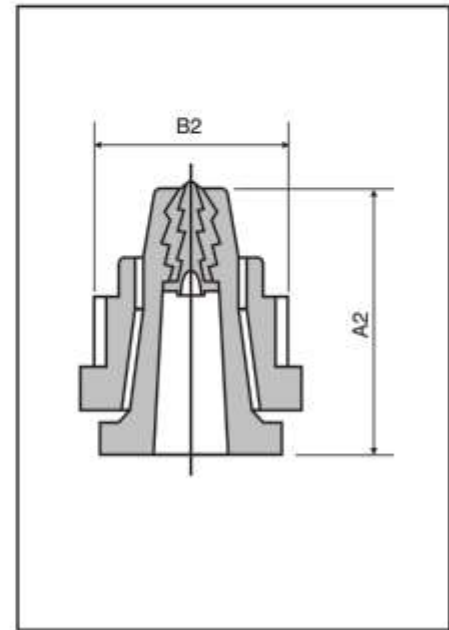




TWO PIECE DESIGN



ONE PIECE DESIGN



LOCO TYPE

DIMENSIONS

Nominal Size	A	B	A ¹	B ¹	A ²	B ²
15 mm (½")	57	½" BSPT	32	½" BSPT	----	----
20 mm (¾")	58	¾" BSPT	38	¾" BSPT	----	----
25 mm (1")	74	1" BSPT	45	1" BSPT	52	1" BSPT
32 mm (1¼")	84	1¼" BSPT	----	----	52	1¼" BSPT
40 mm (1½")	88	1½" BSPT	----	----	----	----
50 mm (2")	102	2" BSPT	----	----	----	----

MATERIALS

Bronze and covers are made of Bronze conforming to IBR 282 (a) (IV) Gr B. Fusible alloy is specially prepared to meet requirements of Indian Boiler Regulations.