

BRONZE

Y-TYPE STRAINER

SUPER HIGH PERFORMANCE

DESCRIPTION :

'WJ' Bronze Y-Type strainers are manufactured with Brass/S.S. (AISI-304) screen with screwed female ends to BSP Taper Threads or flanged ends to BS-10 Table H. These strainers are suitable for 250 PSIG (17.58 Kg/Cm²g) max. steam pressure at 428°F (220°C) temp. and are tested to 500 PSIG (35.15 Kg/Cm²g) Hydraulic Pressure.

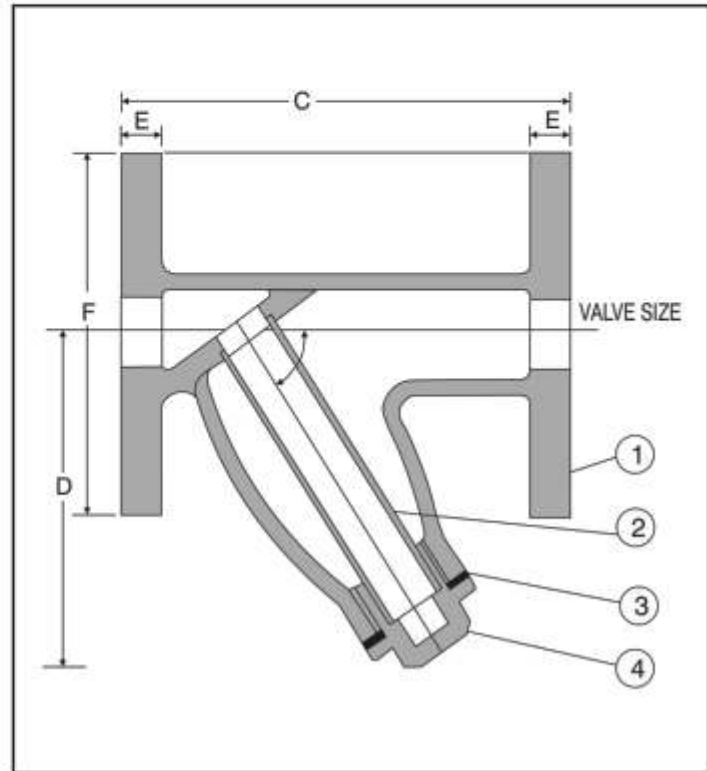
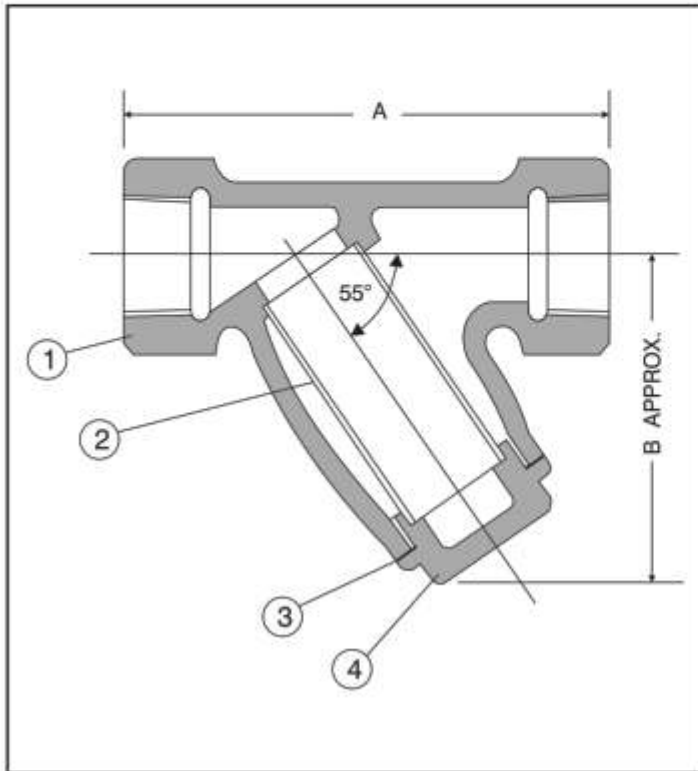
SALIENT FEATURES :

1. Fine finish and smooth contours reduce pressure drop in the strainer.
2. Large screening area makes the strainer efficient.
3. Screen is guided in the body.
4. Strainer may be installed in the down ward vertical lines with effectiveness equal to horizontal installation.

TESTING AND CERTIFICATION :

All strainers are tested at double the maximum working pressure. Each strainer is supplied with IBR Test Certificate in Form III-C issued by The Director of Boilers, Punjab.





DIMENSIONS

| Nominal Size | A | B | C | D | E | F |
|--------------|------|------|-------|-----|-------|-------|
| 15 mm (½") | 70 | 54 | 130 | 84 | 9.5 | 114.3 |
| 20 mm (¾") | 98.5 | 64 | 133 | 90 | 9.5 | 114.3 |
| 25 mm (1") | 127 | 90 | 155 | 112 | 11.2 | 120.7 |
| 32 mm (1¼") | 156 | 110 | 184 | 112 | 11.2 | 133.4 |
| 40 mm (1½") | 178 | 140 | 190.4 | 150 | 12.7 | 139.7 |
| 50 mm (2") | 222 | 160 | 219 | 170 | 12.7 | 165.1 |
| 65 mm (2½") | ---- | ---- | 241 | 229 | 14.29 | 184.2 |
| 80 mm (3") | ---- | ---- | 263.5 | 257 | 15.88 | 203.2 |
| 100 mm (4") | ---- | ---- | 371.5 | 270 | 19.01 | 228.6 |

MATERIALS

| PART No. | NAME OF PART | MATERIAL | SPECIFICATION |
|----------|--------------|----------|------------------------|
| 1. | Body | Bronze | IBR 282 (a) (IV) Gr. B |
| 2. | Strainer | S.S. | AISI-304 |
| 3. | Gasket | C.A.F. | ---- |
| 4. | Cover | Bronze | IBR 282 (a) (IV) Gr. B |