

CAST STEEL

SWING CHECK VALVE

SUPER TROUBLE - FREE PERFORMANCE

DESCRIPTION :

'WJ' Cast Carbon Steel (A-216 Gr. WCB) Swing Check Valve to BS-1868-1975 bolted bonnet 13% Cr. SS(AISI-410) Trim, Flanges as per BS-1560/ANSI B-16.5 raised face are manufactured in Class-150, 300 & 600.

These valves have wide application for high temperature and pressure pipe lines and are especially suitable for Oil Refineries, Petro-Chemical Plants, Power Stations and other Industrial Plants.

SALIENT FEATURES :

1. Stream lined full flow area is provided in body to minimise pressure drop.
2. Renewable 13% Cr. SS (AISI-410) body seat ring and disc have at least 50 HB difference in hardness.

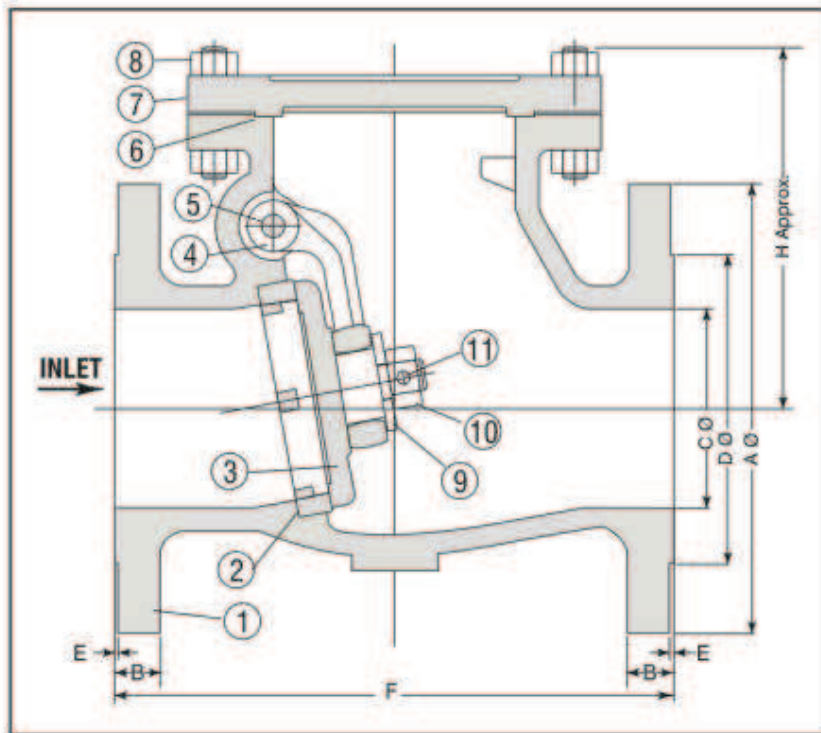
TESTING AND CERTIFICATION :

All Valves are tested hydraulically at the specified pressure. If required these valves can be supplied with IBR test certificate in form III-C issued by the Director of Boilers, Punjab.



TEST PRESSURE

CLASS	BODY HYD.	SEAT HYD.
150	30 Bar Gauge	22 Bar Gauge
300	76 Bar Gauge	55 Bar Gauge
600	155 Bar Gauge	113 Bar Gauge



NOTE :

Class 150 & 300 Flanges are Furnished with 1.6mm Raised Face which is included in the min. Flange Thickness (B). Class 600 Flanges are furnished with 6.4mm Raised Face which is additional to the Flange Thickness (B).

DIMENSIONS

Nominal Size	A			B			C			D			E			F			H (Approx.)		
	Class 150	Class 300	Class 600	Class 150	Class 300	Class 600	Class 150	Class 300	Class 600	Class 150	Class 300	Class 600	Class 150	Class 300	Class 600	Class 150	Class 300	Class 600	Class 150	Class 300	Class 600
40 mm (1½")	127	156	156	14.2	20.6	22.2	38	38	38	73	73	73	1.6	1.6	6.4	165	241	241	118	130	150
50 mm (2")	152.5	165	165	15.8	22.2	25.4	51	51	51	92	92	92	1.6	1.6	6.4	203	267	292	130	155	175
65 mm (2½")	178	190	190	17.5	25.4	28.6	64	64	64	104.8	104.8	105	1.6	1.6	6.4	216	292	330	150	160	185
80 mm (3")	190.5	210	210	19.1	28.6	31.8	76	76	76	127	127	127	1.6	1.6	6.4	241	318	356	160	185	210
100 mm (4")	229	254	273	24	31.8	38.1	102	102	102	157	157	157	1.6	1.6	6.4	292	356	432	184	220	230
125 mm (5")	254	279	---	24	34.9	---	127	127	---	186	186	---	1.6	1.6	---	330	400	---	220	270	---
150 mm (6")	279.5	318	356	25.4	36.5	47.6	152	152	152	216	216	216	1.6	1.6	6.4	356	444	559	223	275	285
200 mm (8")	343	381	419	28.6	41.3	55.6	203	203	203	270	270	270	1.6	1.6	6.4	495	533	660	265	303	320
250 mm (10")	406.5	444	508	30.5	47.6	63.5	254	254	254	324	324	324	1.6	1.6	6.4	622	622	787	325	360	390
300 mm (12")	483	521	559	31.8	50.8	66.5	305	305	305	381	381	381	1.6	1.6	6.4	698	711	838	350	430	460

MATERIALS

PART No.	NAME OF PART	MATERIAL	SPECIFICATION
1.	Body	Cast Steel	ASTM A-216 Gr. WCB
2.	Body Seat Ring	S.S.	AISI-410
3.	Valve Disc	S.S./C.S. with S.S. Weld Deposit Facing	AISI-410/ASTM A-216 Gr. WCB
4.	Hinge	Cast Steel	ASTM A-216 Gr. WCB
5.	Hinge Pin	S.S.	AISI-410
6.	Gasket	C.A.F. / S.S. (AISI-304) Spiral Wound	Asbestos Filled
7.	Cover Flange	Cast Steel	ASTM A-216 Gr. WCB
8.	Studs and Nuts	Alloy Steel/HT Steel	ASTM A-193 Gr. B7/ASTM A-194 Gr. 2H
9.	Washer	S.S.	AISI-410
10.	Locking Nut	S. Steel	AISI-410
11.	Pin for Locking Nut	S.S.	AISI-304
12.	Side Plug for Hinge Pin	S.S.	AISI-304