

CAST IRON

SPRING LOADED

SAFETY VALVE

SINGLE POST & DOUBLE POST

(Tested upto 10.5 Kg/Cm²g)

MAXIMUM SAFETY AT VARIOUS PRESSURES

DESCRIPTION :

'WJ' Cast Iron Spring Loaded Safety Valves with 13% Cr. SS (AISI-410) seat and stem are manufactured in Single Post as well as Double Post full lift design. These Safety Valves are set at max. Pressure of 150 PSIG (10.54 Kg/Cm²g).

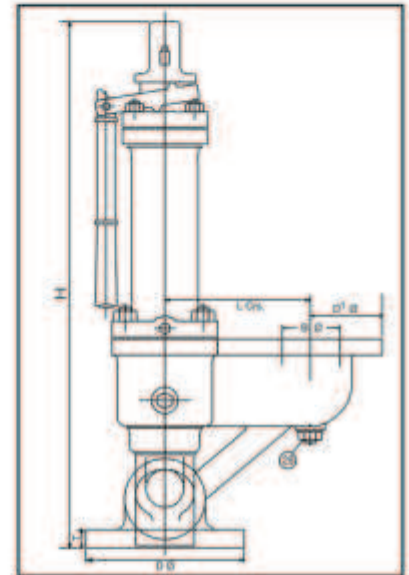
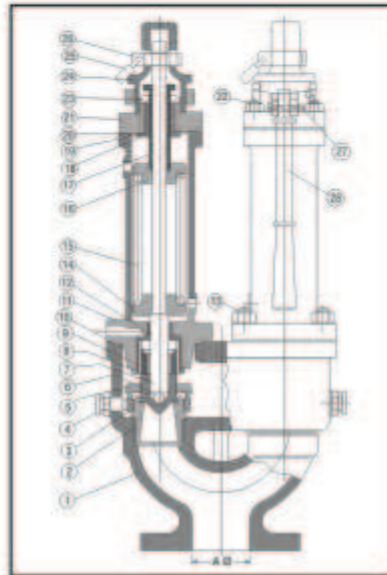
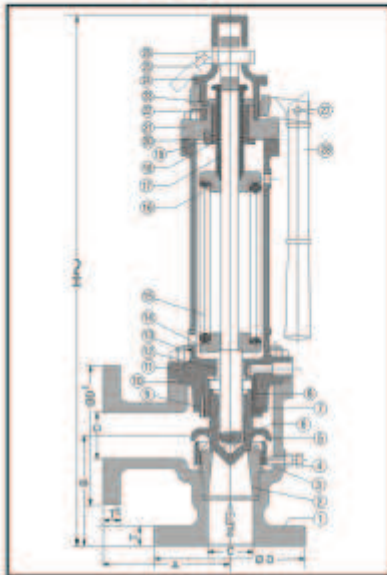
SALIENT FEATURES :

1. These Safety Valves are designed in such a way that instantaneous full lift to the seat is achieved.
2. Each Safety Valve is provided with an easing lever.
3. To avoid unauthorised alteration to the Set Pressure the adjusting screw and check nut are connected by a cap which is attached to the Valve spindle by cotter and a pad lock.

TESTING AND CERTIFICATION :

All Safety Valve Bodies are tested at 300 PSIG (21.08 Kg/Cm²g) Hydraulic Pressure. All Valves are set at a max. Steam Pressure of 150 PSIG (10.54 Kg/Cm²g). Each valve is supplied with IBR Test Certificate in Form III-C issued by The Director of Boilers, Punjab.





**DIMENSIONS
C.I. SINGLE POST SAFETY VALVE**

Nominal Size	A	B	C	D	T	D ¹	T ¹	H
25 mm (1")	108	90	25	121	13	114.5	13	430
40 mm (1½")	120	102	38	140	19	133.5	16	525
50 mm (2")	140	121	50	165	22.2	152.5	19	580
65 mm (2½")	152	135	65	184.5	22.2	165.1	19	800
80 mm (3")	178	160	76	203.5	22.2	184.5	19	813
100 mm (4")	190	186	100	228.6	25.5	216	22.2	900

**DIMENSIONS
C.I. DOUBLE POST SAFETY VALVE**

Nominal Size	A	B	D	T	D ¹	L	H
25 mm (1")	40	40	139.7	17.5	133.5	150	480
40 mm (1½")	57	63.5	184.5	22	165.1	165	585
50 mm (2")	73	76	203.2	22	184.5	190	670
65 mm (2½")	90	90	215.9	25.4	203.2	203.2	890
80 mm (3")	115	115	254	25.4	254	254	940
100 mm (4")	147	147	304.8	28.5	279.4	280	1050

MATERIALS

PART No.	NAME OF PART	MATERIAL	SPECIFICATION
1.	Body	C.I.	IBR-86 To 93 Gr. A
2.	Body Seat Ring	13% Cr. S.S.	AISI-410
3.	Regulating Ring	Bronze	IBR-282 (a) IV Gr. B
4.	Locking Screw for Regulating Ring	Bronze	IBR-282 (a) IV Gr. B
5.	Valve Head	13% Cr. S.S.	AISI-410
6.	Ball	S.S.	----
7.	Stem	13% Cr. S.S.	AISI-410
8.	Piston Liner	Bronze	IBR-282 (a) IV Gr. B
9.	Locking Screw	Steel	----
10.	Gasket	C.A.F.	IS : 2712
11.	Chamber	C.I.	IBR-86 To 93 Gr. A
12.	Bush for Chamber	Bronze	IBR-282 (a) IV Gr. B
13.	Studs & Nuts for Body Bonnet	Carbon Steel	----
14.	Bottom Spring Disc	C.I.	IBR-86 To 93 Gr. A
15.	Spring	Spring Steel	----
16.	Upper Spring Disc	C.I.	IBR-86 To 93 Gr. A
17.	Spring Adjusting Screw	Bronze	IBR-282 (a) IV Gr. B
18.	Bush for Chamber Flange	Bronze	IBR-282 (a) IV Gr. B
19.	Locking Screw	Steel	----
20.	Gasket	C.A.F.	IS : 2712
21.	Chamber Flange	C.I.	IBR-86 To 93 Gr. A
22.	Bolts & Nuts for Chamber Flange	Carbon Steel	----
23.	Check Nut	Bronze	IBR-282 (a) IV Gr. B
24.	Housing Cap	C.I.	IBR-86 To 93 Gr. A
25.	Pad Lock	----	----
26.	Locking Guard	Bronze	IBR-282 (a) IV Gr. B
27.	Pin	S.S.	AISI-410
28.	Easing Lever	M.I.	----
29.	Drain Plug	Bronze	IBR-282 (a) IV Gr. B