

BRONZE

SLEEVE PACKED WATER LEVEL GAUGE

**MADE WITH MAXIMUM
PRECISION & PERFECTION**

DESCRIPTION :

'WJ' Bronze Sleeve Packed Water Level Gauge. Flanged ends to Table 'H' or Screwed male ends to BSP Taper Threads and with automatic shut off in the water arm. Suitable for 250 PSIG (17.58 Kg/Cm²g). Max. B.O.P. and Max. Temp. upto 428°F (220°C). Tested to 500 PSIG (35.15 Kg/Cm²g) Hydraulic Pressure.

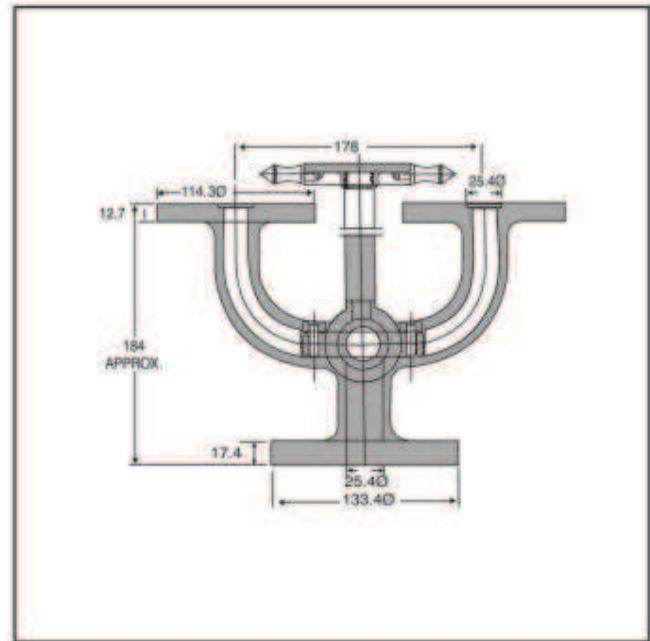
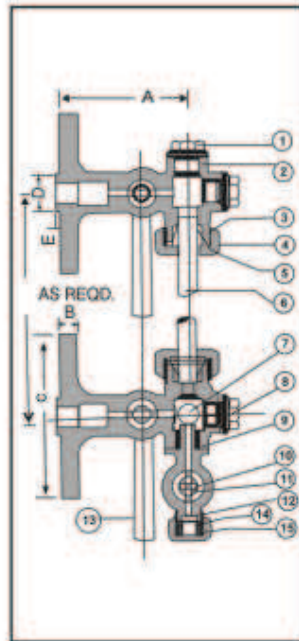
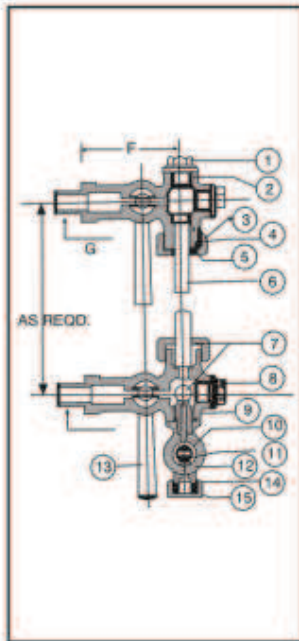
SALIENT FEATURES :

1. Each Cock is fitted with a self adjusting inverted taper plug which forms a seal in a renewable moulded asbestos sleeve.
2. The sleeve can be easily positioned in the cock by a rib which fits a corresponding groove in the body.
3. The sleeve is reinforced by metallic eyelets to avoid clogging of the passage.
4. A ball valve in the water arm cuts off water supply in the event of breakage of glass tube.
5. Glass tubes are fitted with replaceable rubber cones.

TESTING AND CERTIFICATION :

All water level gauges are tested at double the maximum working pressure. Each gauge is supplied with IBR Test Certificate in Form III-C issued by The Director of Boilers, Punjab.





DIMENSIONS

Nominal Size	A	B	C	D	E	F	G
15 mm (1/2")	88.5	12.7	114.3	19	3	80	1/2" BSPT
20 mm (3/4")	95.0	12.7	114.3	25	3	90	3/4" BSPT

MATERIALS

PART No.	NAME OF PART	MATERIAL	SPECIFICATION
1.	Top Gauge Plug	Bronze	IBR 282 (a) (IV) Gr. B.
2.	Top Gauge Arm	Bronze	IBR 282 (a) (IV) Gr. B.
3.	Gland Nut	Bronze	IBR 282 (a) (IV) Gr. B.
4.	Rubber Cone	Rubber	----
5.	Washers	Bronze	IBR 282 (a) (IV) Gr. B.
6.	Glass Tube	Glass	----
7.	Ball	S.S.	AISI-304
8.	Bottom Gauge Side Nut	Bronze	IBR 282 (a) (IV) Gr. B.
9.	Bottom Gauge Arm	Bronze	IBR 282 (a) (IV) Gr. B.
10.	Sleeve	Moulded Asbestos	----
11.	Spindle	S.S.	AISI-410/AISI-304
12.	Drain Cock	Bronze	IBR 282 (a) (IV) Gr. B.
13.	Handle	Brass	----
14.	Bottom Nut	Bronze	IBR 282 (a) (IV) Gr. B.
15.	Drain Nipple	Bronze	IBR 282 (a) (IV) Gr. B.
16.	Bonnet	Bronze	IBR 282 (a) (IV) Gr. B.
17.	Sleeve Bottom Nut	Bronze	IBR 282 (a) (IV) Gr. B.
18.	Spindle Adjusting Nut	M.S.	----