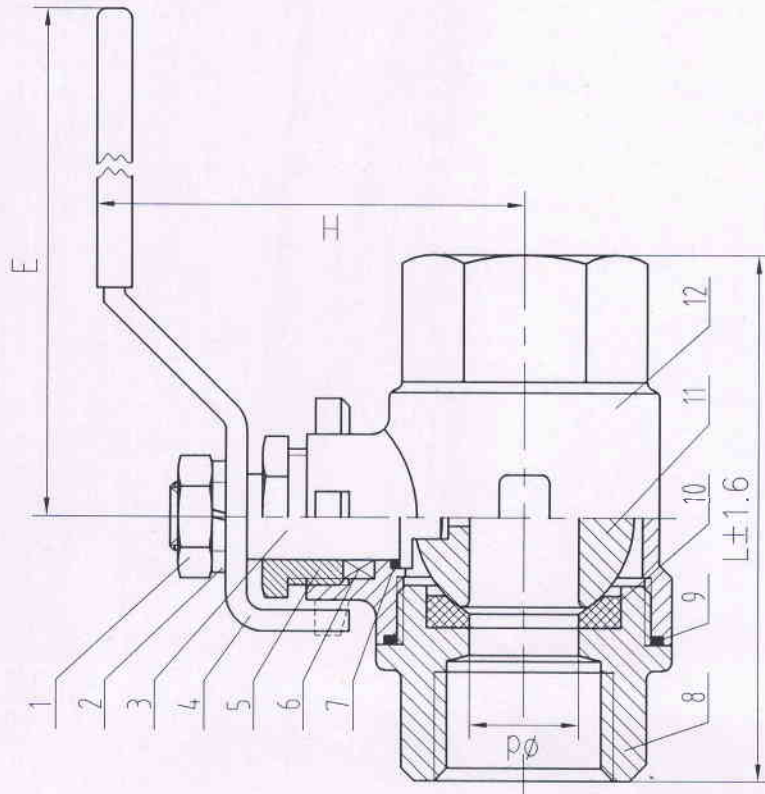


## MAIN PARTS AND MATERIALS

NO.	PART NAME	MATERIAL	NO.	PART NAME	MATERIAL
1	Nut	304/316	7	Thrust Washer	PTFE
2	Spring Washer	304/316	8	Cap	WCB/CF8/CF8M
3	Stem	304/316	9	Gasket	PTFE
4	Handle	304/316	10	Seat	PTRE/RPTFE
5	Gland Nut	304/316	11	Ball	304/316
6	Packing	PTFE	12	Body	WCB/CF8/CF8M

## CONFIGURATION DIMENSION

ITEM SIZE	1/4"	3/8"	1/2"	3/4"	1"	1 1/4"	1 1/2"	2"	2 1/2"	3"	4"
d	10.5	12	15	20	25	32	38	49	62	76	96
H	50	50	60	64	71	78	86	95	130	148	180
E	100	100	130	130	165	165	190	190	215	250	280
L	55	55	62	72	84	97	104	120	150	164	200



Please note: This map for reference only.

## ASSEMBLY DRAWING

**PIPELINE PRODUCTS (INDIA)**  
**3374, HAUZ QAZI,**  
**DELHI-110006**

2PC ball valve

1/4" - 4" SKS225