

Cim 74A

BRONZE OBLIQUE STRAINER - PN 20



This article was made in compliance with the quality management requirements of ISO 9001 standard. All articles are tested according to the EN 12266-1 standard.

It can be used for filtration in heating, water, sanitary, pneumatic, oil, gasoline and saturated steam systems, and generally with any non corrosive liquid.

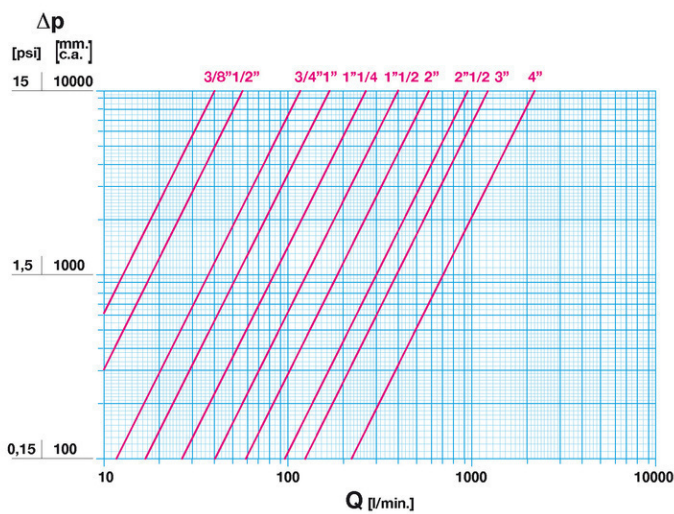
It is guaranteed for 5 years.

It is made of a bronze alloy that complies with standard EN 1982-CC491K.

Nominal Pressure: PN 20

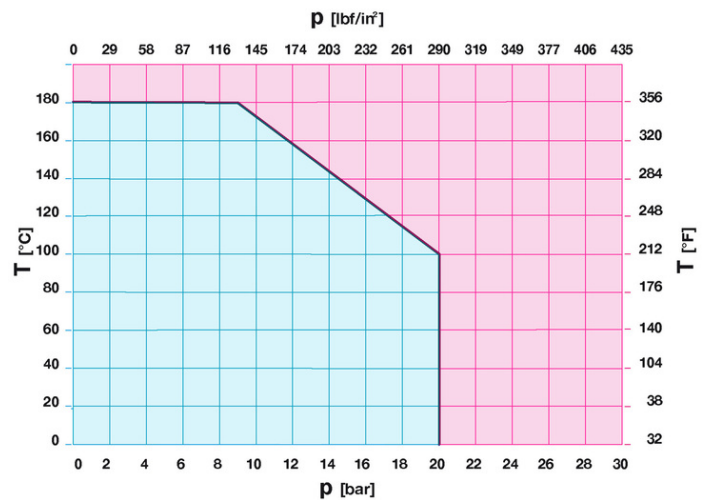
Operating temperature: -10 ÷ 180°C

FLOW AND PRESSURE DROP



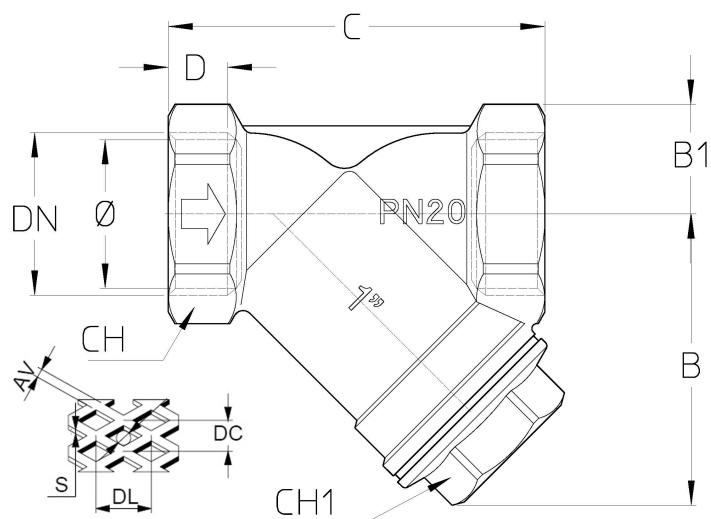
Notes:
 1 l/min = 0,06 m3/h
 1 m3/h = 16,67 l/min
 1 bar = 10.000 mm w.c.
 1 psi = 690 mm w.c.

PRESSURE TEMPERATURE RATINGS



Notes:
 1 bar = 14,5 psi
 1 bar = 14,5 lbf/in2
 $^{\circ}\text{C} = 5/9 \times (^{\circ}\text{F} - 32)$
 $^{\circ}\text{F} = 32 + (9/5 \times ^{\circ}\text{C})$

TECHNICAL DRAWING



DN	3/8"	1/2"	3/4"	1"	1"1/4	1"1/2	2"	2"1/2	3"	4"
Φ mm	10	15	20	25	32	40	50	70	80	100
Grms.	190	200	300	460	780	1000	1860	2620	4200	7550
B	39	41	48,5	60	73	81	100	114	137	167
B1	13	16	19	23	28,5	31,5	39,5	49	58	73,5
C	55	59	68	76	92	100	125	148	175	217
D	10	11	11	13,5	15	15	19	22	22	28
CH	23	28	34	41	51	56	71	87	102	129
CH1	18	18	22	29	34	39	55	65	75	85
Φ h μ	650	650	650	650	650	650	650	800	800	800
N°	52	52	52	52	52	52	52	40	40	40

Thread:
ISO 228

Upon request:
ANSI B.1.20.1 - NPT

TECHNICAL CHARACTERISTICS

KV										
DN	3/8"	1/2"	3/4"	1"	1"1/4	1"1/2	2"	2"1/2	3"	4"
KV	2,4	3,4	7	10	16	24	35	57	73	132

KV = Flow rate in m³/h with a pressure drop of 1 bar

OUR CERTIFICATIONS

