

Cim 17G

FULL BORE BALL VALVE FOR GAS - EN 331 - T16G SERIES - STEEL LEVER HANDLE



Manufactured according to management requirements of EN ISO 9001 standard.
100% tested in accordance with EN 12266-1 standard.

Suitable for gas at low pressure, in detail:

Natural gas: gas by-product of oil (methane);

Town gas: manufactured through different processes (cracking - cokerie - etc.)

Liquid gas: propane and mixture of propane/butane gas.

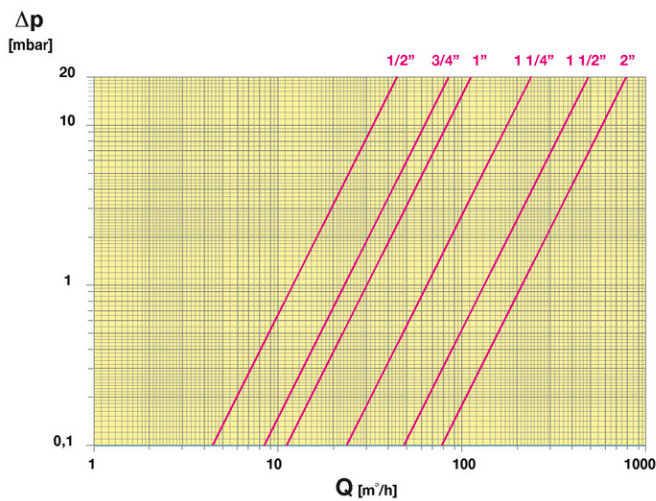
It is guaranteed for 5 years

It is made of a brass alloy that complies with standard EN 12165-CW617N-M.

Nominal Pressure: MOP5

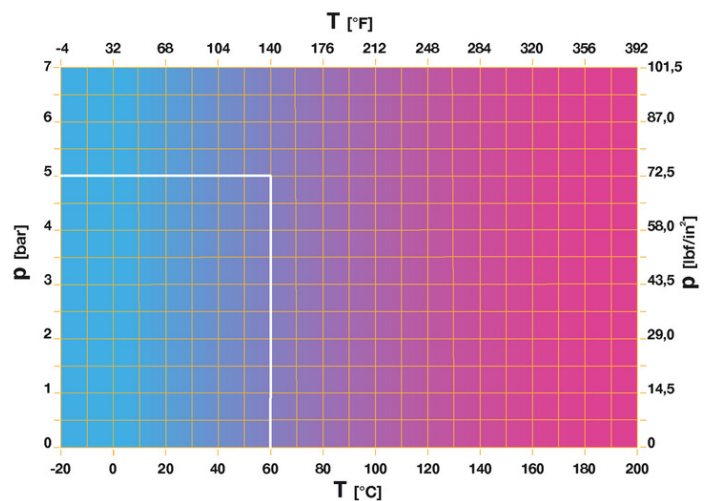
Operating temperature: -20 ÷ 60°C

FLOW AND PRESSURE DROP



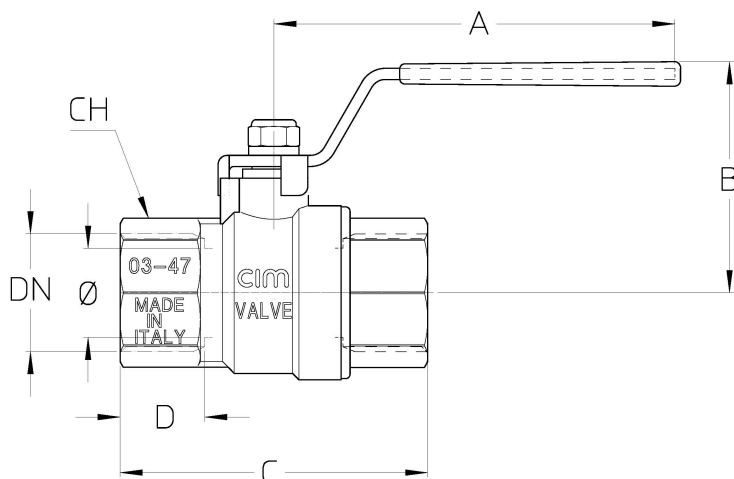
Notes:
1 psi = 68,95 mbar
1 mbar = 0,0145 psi

PRESSURE TEMPERATURE RATINGS



Notes:
1 bar = 14,5 psi
1 bar = 14,5 lbf/in²
°C = 5/9 x (°F-32)
°F = 32 + (9/5 x °C)

TECHNICAL DRAWING



DN	1/2"	3/4"	1"	1"1/4	1"1/2	2"
Ø mm	15	20	25	32	40	50
Grms.	200	315	500	800	1250	1860
A	90	90	110	110	150	150
B	47	52	56	65	81	88
C	62	69	84	96	109	131
D	17,5	19	22	25	25	29
CH	25	31	38	47	54	66

Threads:
ISO 7 - Rp

TECHNICAL CHARACTERISTICS

KV CM CS MT						
DN	1/2"	3/4"	1"	1 1/4"	1 1/2"	2"
Ø mm	15	20	25	32	40	50
KV	12	23	30	65	131	214
CM	1,5	2	4	5	8	11
CS	3	4	7	10	16	20
MT	24	24	26	26	88	88

KV = Capacity in m³/h at pressure drop of 1 mbar and inlet pressure of 25 mbar.

CM = Operating torque in Nm.

CS = Starting torque in Nm.

MT = Stem breaking torque in Nm.

OUR CERTIFICATIONS

