

Butterfly Valve

Manual Butterfly Valves

PRODUCT DATA

GENERAL

- The BS-MWC4 Manual Butterfly Valves are designed for Chilled & Hot Water to be operated by Gear Box.



FEATURES

operated by Gear Box with Chain pulley (BS-MWC4)

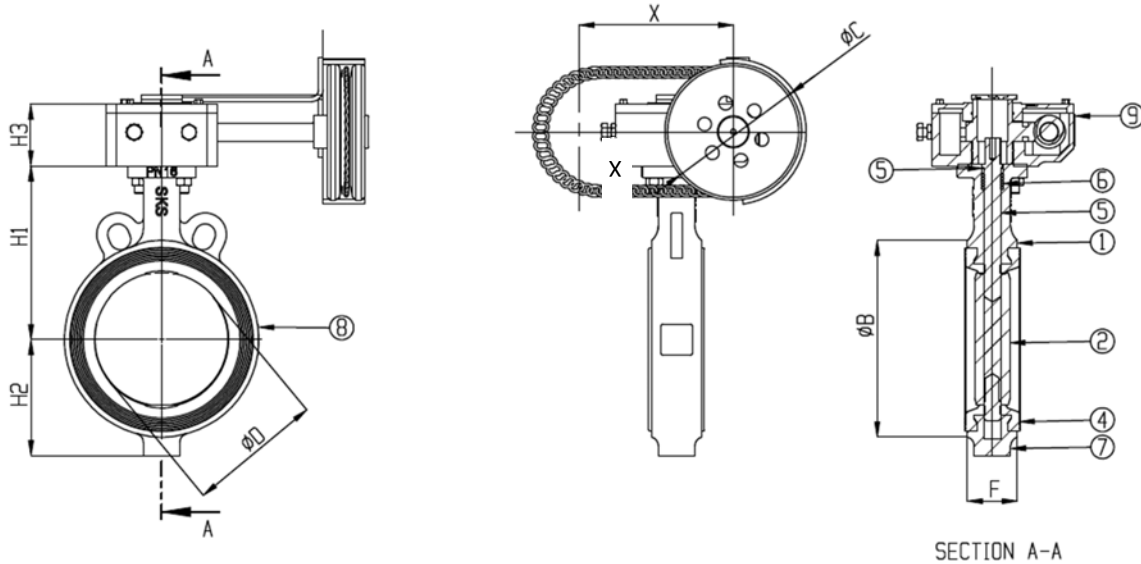
- Wide Size range (DN50...DN600)
- Operated by Gear Box with Chain Pulley.
- 90 degree opening /closing operation.
- Cast Iron/Ductile Iron Body
- D.I , S.S. Disc.
- Wafer type Connection

SPECIFICATIONS

Sizes	DN50...DN600
Nominal pressure	PN16
Medium Temperature	-10°C ~ +110°C Maximum
Body Material	C.I.(IS210 GR. FG200/ D.I (IS 1865,Gr.400/15)
Stem Material	ASTM A276, GR SS 410
Disc Material	D.I , S.S. Disc
Gear Box	Cast iron
Leakage Rate	No visible leakage
Medium Type	Water
Flange standard	IS:1538
Shell Test pressure	24 Bar
Seal Test pressure	17.6 Bar

Part Description & Outside Dimension (mm)

a. Valve Size DN50...DN200 - Gear Box Operator with chain pulley (PN16)



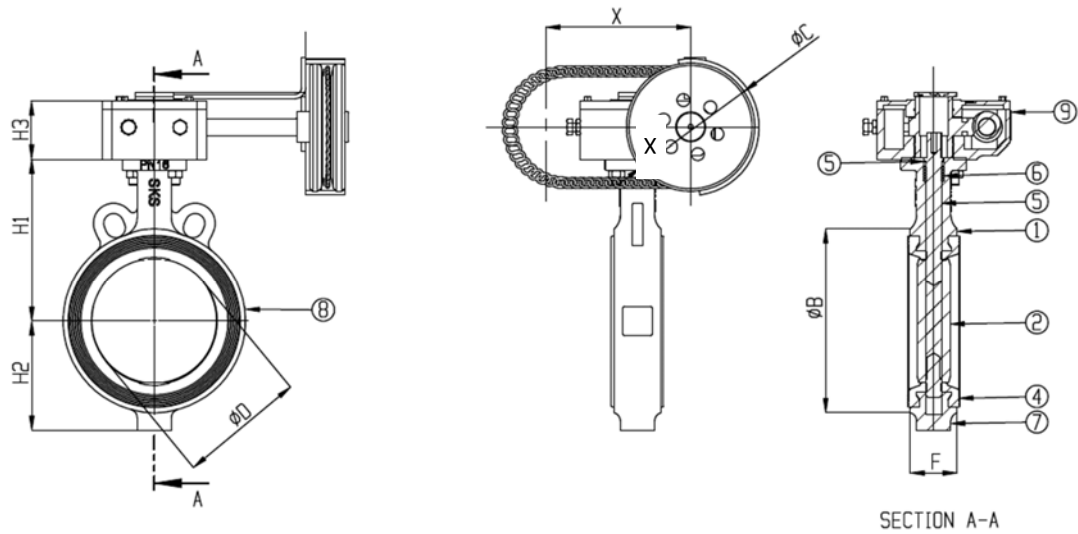
Part Descriptions

Part No.	1	2	3	4	5	6	7	8	9
Description	Body	Disc	Stem	Seat	Bush	O-ring	Plug	Name plate	Gearbox
Material	C.I (IS 210 GR. FG200)/ D.I (IS 1865 GR. 400/15)	D.I/S.S	ASTM A 276, GR. 410	EPDM	NYLON	EPDM	M. S	SS	Cast iron

Outside Dimension (mm)

Valve Size	F	H2	H1	H3	ØC	ØD	Ø B	X
DN50	41.5	67	120	60	200	50	97	1.5M to 6M
DN65	44.5	74	130	60	200	65	111	1.5M to 6M
DN80	44.5	83	140	60	200	78	128	1.5M to 6M
DN100	50.5	100	160	60	200	97	160	1.5M to 6M
DN125	54.5	119	170	60	200	121	192	1.5M to 6M
DN150	54.5	132	190	60	200	144	213	1.5M to 6M
DN200	58.5	161	230	60	200	195	271	1.5M to 6M

b. Valve Size DN250...DN300 - Gear Box with chain pulley (PN16)



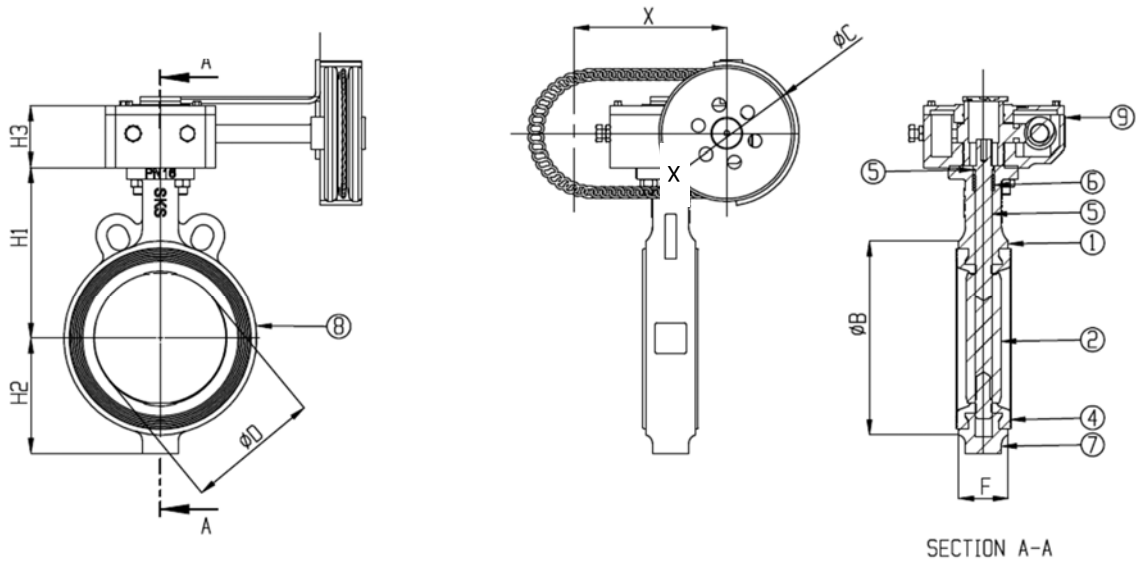
Part Descriptions

Part No.	1	2	3	4	5	6	7	8	9
Description	Body	Disc	Stem	Seat	Bush	O-ring	Plug	Name Plate	Gearbox
Material	D.I (IS:1865 Gr 400/15)	S.S.	ASTM A276, Gr. SS410	EPDM	NYLON	EPDM	M.S	S.S	Cast iron

Outside Dimension (mm)

Valve Size	F	H2	H1	H3	øC	øB	øD	x
DN250	66.5	204	282	60	250	252.5	252.5	1.5M to 6M
DN300	76.5	229	310	60	250	300	300	1.5M To 6m

c. Valve Size DN350...DN600 - Gear Box with chain pulley (PN16)



Part Descriptions

Part No.	1	2	3	4	5	6	7	8	9
Description	Body	Disc	Stem	Liner	Bush	O-Ring	Plug	Name plate	Gearbox
Material	D.I (IS:1865 Gr FG400/15)	S.S.	ASTM A276, Gr. SS410	EPDM	NYLON	EPDM	M. S	S.S	Cast iron

Outside Dimension (mm)

Valve Size	F	H2	H1	H3	øB	øD	øC	X
DN350	90.5	282	373	72	440	330.7	360	1.5M to 6M
DN400	101.5	315	418	72	493	377	360	1.5M to 6M
DN450	112.5	346	425	72	542	436	360	1.5M to 6M
DN500	125.5	375	475	72	598	482	360	1.5M to 6M
DN600	152.5	446	555	72	700	590	360	1.5M to 6M