

## Cim RED5

### FULL BORE BALL VALVE - RED 5 SERIES - STEEL LEVER HANDLE



This article was made in compliance with the quality management requirements of ISO 9001 standard. All articles are tested according to the EN 12266-1 standard.

It can be used in a wide variety of sectors: heating, air conditioning, water, sanitary systems, pneumatic systems, oil pipelines, gasoline networks, saturated steam and generally with any non corrosive liquid.

It is guaranteed for 5 years.

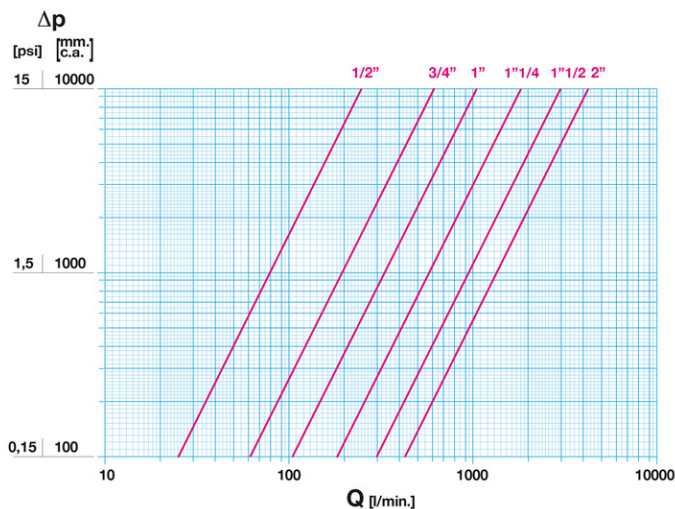
It is made of a brass alloy that complies with standard EN 12165-CW617N-M.

Nominal Pressure:

PN 50 (1/2"); PN 40 (3/4" ÷ 1"); PN 30 (1"1/4 ÷ 1"1/2); PN 25 (2")

Operating temperature: -20 ÷ 150°C

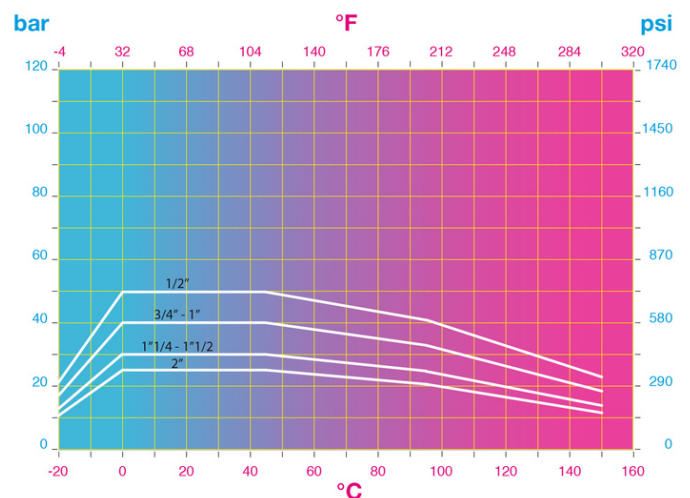
### FLOW AND PRESSURE DROP



Notes:

- 1 l/min = 0,06 m3/h
- 1 m3/h = 16,67 l/min
- 1 bar = 10.000 mm w.c.
- 1 psi = 690 mm w.c.

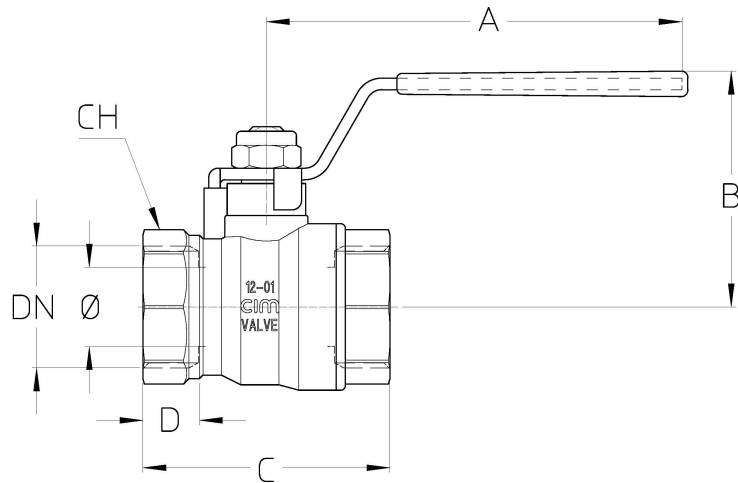
### PRESSURE TEMPERATURE RATINGS



Notes:

- 1 bar = 14,5 psi
- 1 bar = 14,5 lbf/in2
- °C = 5/9 x (°F-32)
- °F = 32 + (9/5 x °C)

## TECHNICAL DRAWING



DN	1/2"	3/4"	1"	1"1/4	1"1/2	2"
Ø mm	14	19	24	29	37	47
<b>Grms.</b>	<b>155</b>	<b>250</b>	<b>370</b>	<b>500</b>	<b>925</b>	<b>1370</b>
A	90	90	110	110	150	150
B	47	51	55	60	78	85
C	47	53,5	66	74	88	102
D	12	12	15	16	18	19
CH	25	31	37	47	54	66

Thread:  
ISO 228

Upon request:  
ANSI B.1.20.1 - NPT

## TECHNICAL CHARACTERISTICS

KV CM CS MT						
DN	1/2"	3/4"	1"	1"1/4	1"1/2	2"
Ø mm	14	19	24	29	37	47
KV	15	37	63	108	179	256
CM	1	1,5	2,5	3	8	11
CS	2,5	5	6	10	18	20
MT	24	24	26	26	88	88

KV = Capacity in m<sup>3</sup>/h at pressure drop of 1 bar.

CM = Operating torque in Nm.

CS = Starting torque in Nm.

MT = Stem breaking torque in Nm.

## OUR CERTIFICATIONS

